

Fiber Amplifier

PE2



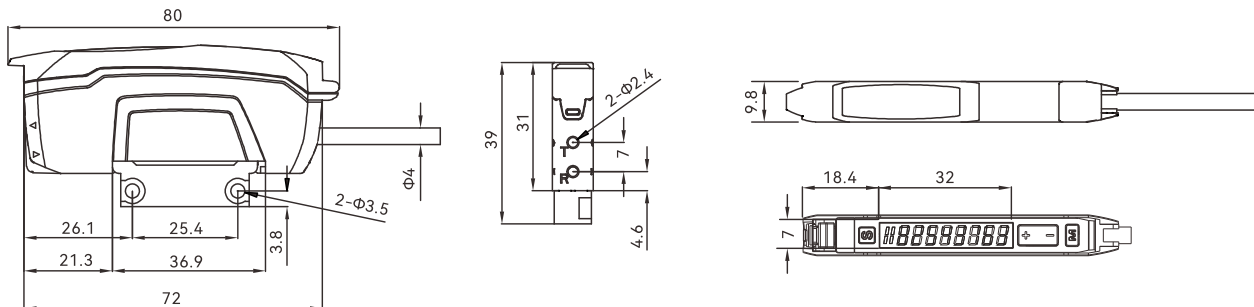
NEW!



Basic Features	Working Principle	Optical detection principle		
	Sensing method	Through-beam/Diffuse		
	Type	Rectangular		
	Light source	Red LED (660nm)		
	Indicator	Running: green; Output: red		
	Display	Setting value: green, 4-digit; Current value: red, 4-digit; 4-function		
Electrical Data	Operation model	Light.on/Dark.on switching		
	Output model	IO-Link/NPN/PNP		
	Response time	1-HS: 25us 2-FS: 50us 3-ST:250us; 4-LG:500us 5-PL:1000us 6-SU:2000us 7-UL:16000us		
	Response frequency	32Hz~20000Hz		
	Operating Voltage	DC 12~24V ±10%		
	No load current	≤54mA		
	Voltage drop	< 1.5V		
	Load current	≤100mA		
	Insulation resistance	≥50MQ/500V DC		
	Dielectric strength	1000V AC at 50/60Hz for 1 min		
Protection Circuit	Reverse Polarity Protection/Short-circuit Protection/Surge protection			
Delay	Switchable			
Environmental Conditions	Operating Temperature	-20°C~+50°C (No Freezing)		
	Storage Temperature	-30°C~+70°C (No Freezing)		
	Operating Humidity	35%~85% RH (No Condensation)		
	Storage Humidity	35%~95% RH (No Condensation)		
	Ambient illumination	Incandescent lamps≤10,000lux; Sunlights≤30,000lux		
	Vibration resistance	10~55Hz, 1.5mm double amplitude for 2hours each in X/Y/Z directions		
Mechanical Data	Enclosure rating	IP50		
	Connection	2m/3-wire Cable	Pig-tail cable(0.15m) with M8/3-pin connector	Pig-tail cable(0.15m) with M12/4-pin connector
	Dimensions (WxHxD)	80.0x9.8x39.0mm		
	Material	PC		
	Weight	61g	27g	33g
	Accessories	Brackets		
Model	NPN,PNP,IO-LINK	PE2-IO	PE2-IOWT	PE2-IOWT2

Unit: mm

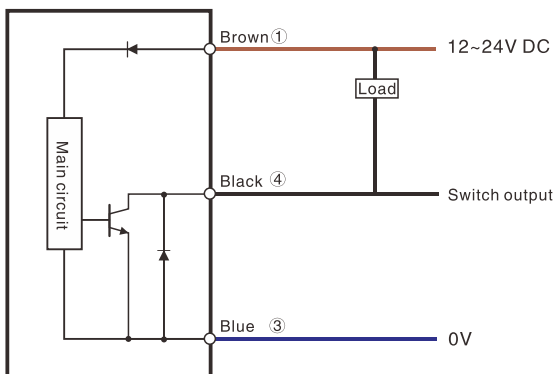
Dimensions



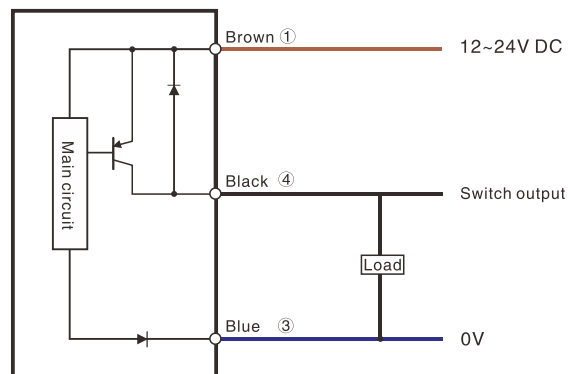
Circuit diagram

PE2-IO

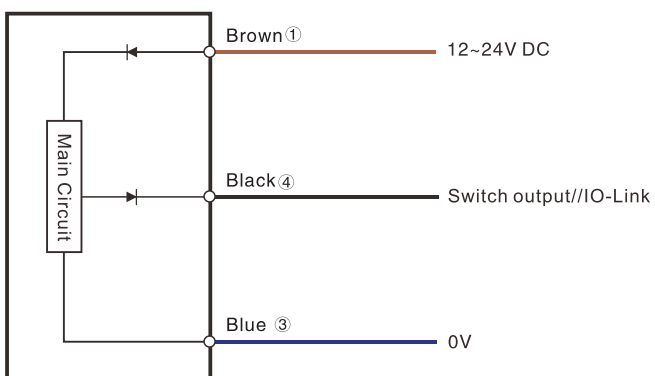
NPN



PNP



IO-Link



PE2-IOWT

NPN/PNP

IO-Link

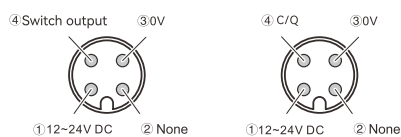


M8/3-pin connector

PE2-IOWT2

NPN/PNP

IO-Link



M12/4-pin connector

Fiber Optic

- Fork
- Photoelectric
- Inductive
- Capacitive
- Magnetic
- Contact
- Ultrasonic
- Curtains

Selection Guide

Fiber Amplifier

Fiber Unit

Lens