



# Miluz E



Catalog 2025

[se.com](https://se.com)

Life Is On

**Schneider**  
Electric



# Contents

Controls .....	6
Specialized Controls.....	7
Sockets and USB Charger .....	8
Communication Outlets .....	9
Accessories .....	10
Technical Information.....	11
Reference Numbers .....	21

# Discover a wide range of functions

The Miluz E range provides a wide variety of functions, including switches, sockets, connection units, and accessories, ensuring you can easily find a device to meet your home needs.

## Switch Modules



1-way



2-way



20 A Double Pole



Intermediate

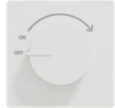


Roller Blind



Bell Press

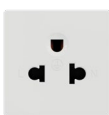
## Dimmer



## Sockets and USB Module



2-pin



3-pin



International

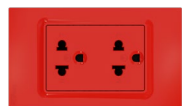


USB A+C

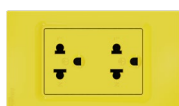


2 Gang, 3-pin

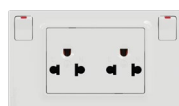
## Assembled Sockets



2 Gang, 3-pin



2 Gang, 3-pin



2 Gang, 3-pin

## Communication Outlets



Cat. 6



Telephone



TV

## Cover Plates



Blank Plate



1 Gang



2 Gang



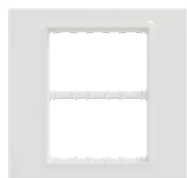
2 Gang



3 Gang



3 Gang, 86



6 Gang



Fiber Optic Plate



SB Plate



1 Gang MCB Plate



2 Gang MCB Plate

## Accessories



Blank Module

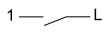



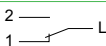
Red Neon Indicator



Weather Proof Box

Switches – 16 AX – 250 V AC

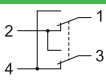

	1G
	Size S
	
	

<b>1-way</b>	
<input type="checkbox"/> White	M3TS31_1_WE
	

	
--	---

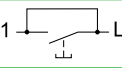

<b>2-way</b>	
<input type="checkbox"/> White	M3TS31_2_WE

Intermediate Switch – 16 AX – 250 V AC

	1G
	Size S
	
	

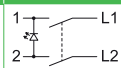

<input type="checkbox"/> White	M3TS31_IM_WE
--------------------------------	--------------

Bell Press Switch – 10 A – 250 V AC

	1G
	Size S
	
	

<input type="checkbox"/> White	M3TS31_BP_WE
--------------------------------	--------------

Switch with LED Indicator – 20 A – 250 V AC

	1G, 2-pole
	Size S
	
	

<input type="checkbox"/> White	M3TS31_D20L_WE
--------------------------------	----------------

Roller Blind Switch - 10 A – 250 V AC


	1G
	Size S
	

<input type="checkbox"/> White	M3TS31_ROL
--------------------------------	------------

# Miluz E


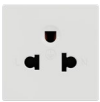
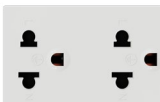
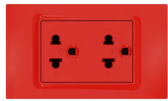
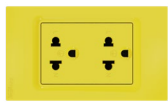
## Specialized Controls

### Universal Dimmer with Switch

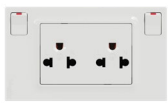
	1G
	Size 2S
	
<input type="checkbox"/> White	M3TSDM_WE

# Sockets and USB Charger


## Universal Sockets – 16 A – 250 V AC

	1G, 2-pin Size S	1G, 3-pin Size 2S	2G, 3-pin Size 3S
			
<input type="checkbox"/> White	M3TS426US_WE	M3TS426UST_WE	M3TS426UST2_WE
	2G, 3-pin		
			
<input checked="" type="checkbox"/> Red	A70_SIS_RD		
			
<input checked="" type="checkbox"/> Yellow	A70_SIS_YL		


## Universal Switched Socket – 16 A – 250 V AC

	2G, 3-pin
	
<input type="checkbox"/> White	M3TS_SIS_WE

## International Socket – 16 A – 250 V


	1G Size 2S
	
<input type="checkbox"/> White	M3TS426_IS_WE

## USB Charger – 21 W


	Type (A+C) Size S
	
<input type="checkbox"/> White	M3TS_USB2_WE

# Communication Outlets

## Cat. 6 Shuttered Socket

	1G
	Size S
	
<input type="checkbox"/> White	M3TSRJ6M_WE






## Cat. 3 Shuttered Telephone Socket



	1G
	Size S
	
<input type="checkbox"/> White	M3TSRJ4M_WE

## TV Socket – 75 Ohm


	1G, Coaxial
	Size S
	
<input type="checkbox"/> White	M3TSTV75M_WE

Cover Plates



	Blank	1G	2G	3G	6G
					
<input type="checkbox"/> White	M3TS01BP_WE	M3TS01_WE	M3TS02_WE	M3TS03_WE	M3TS06_WE

	2G	3G, 86
		
<input type="checkbox"/> White	M3TS01XS_WE	M3TS03_E_WE

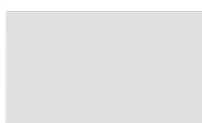
SB Cover Plate

	1G
	
<input type="checkbox"/> White	M3TS01SB_WE


MCB Cover Plates

	1G	2G
		
<input type="checkbox"/> White	M3TS01MCB_WE	M3TS02MCB_WE


Fiber Optic Plate

	1G, SC
	
<input type="checkbox"/> White	M3TSFO_WE


Blank Module

	1G Size S
	
<input type="checkbox"/> White	M3TS01BC_WE

Red Neon Indicator

	1G Size S
	
<input type="checkbox"/> White	M3TSNRD_WE

Weather Proof Box

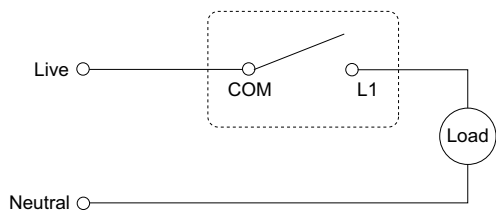
	3G
	
<input type="checkbox"/> White	M3TS01WP_WE

# Technical Information

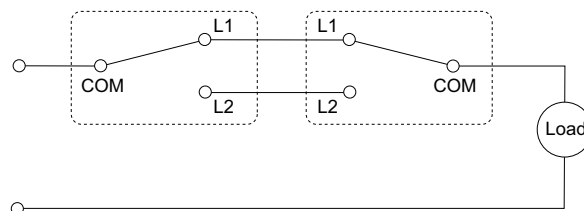
## Connections

### Switches

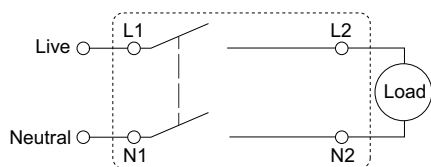
1-way Switch



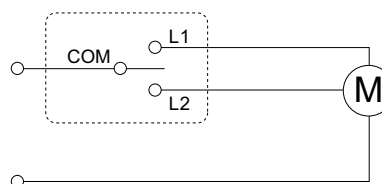
2-way Switch



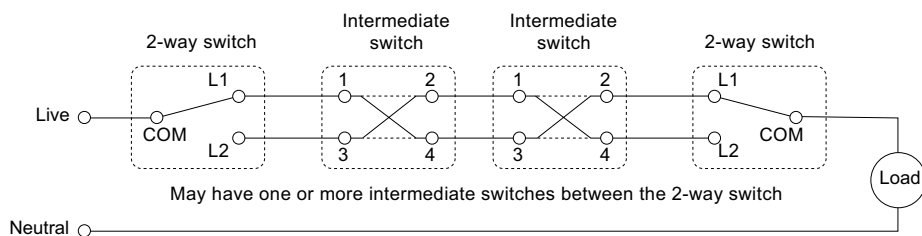
Double Pole Switch



Roller Blind Switch



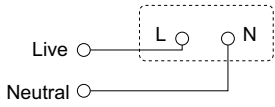
Intermediate Switch



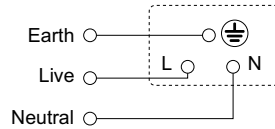
# Technical Information Connections

## Sockets and USB Charger

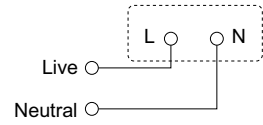
### 2-pin Universal Socket



### Socket with Earth

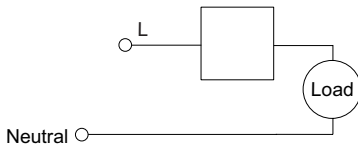


### USB Charger



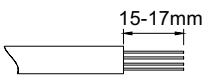
## Rotary Dimmer

### Dimmer / Fan Controller



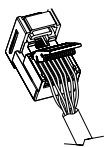
## Communication Outlets

### Data Outlet

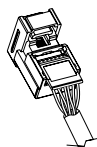


1. Strip the wire to the stripping length (15-17 mm).
2. Fix the cable positions according to the color codes shown in the table below.

Color code	TS568B	TS568A
White-Blue	5	5
Blue	4	4
White-Orange	1	3
Orange	2	6
White-Green	3	1
Green	6	2
White-Brown	7	7
Brown	8	8

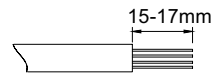


3. Open the outlet cover and fix the wires into the outlet based on the correct color sequence.

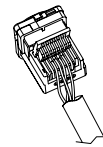


4. Close the cover and fasten the wire.

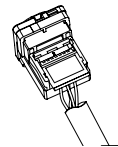
### Telephone Outlet



1. Strip the wire to the stripping length (15-17 mm).

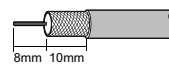


2. Open the outlet cover and fix the wires to the positions 1, 2, 3, and 4 to their corresponding colors.



3. Close the cover and fasten the wire.

### TV Outlet



Cut the sheath of the coaxial cable to the length (8-10 mm) for installation.

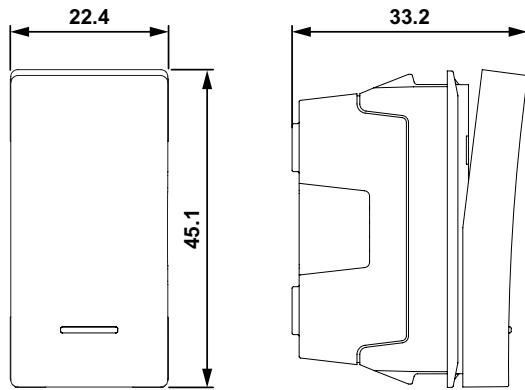
# Technical Information

## Dimensions

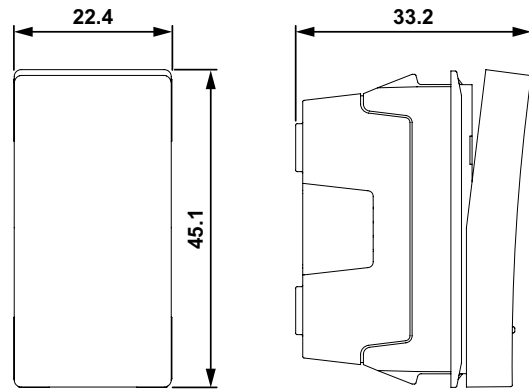
### Dimensions (mm)

### Switches

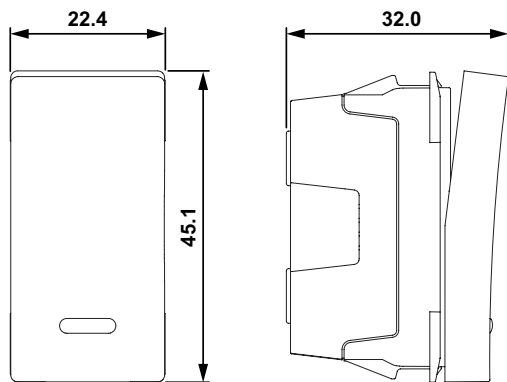
1G, 1-way Switch, Size S



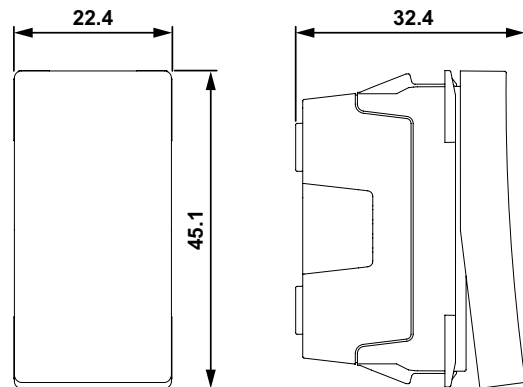
1G, 2-way Switch, Size S



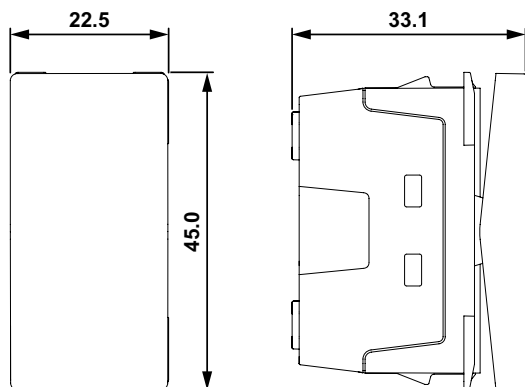
1G Double Pole Switch with LED Indicator, Size S



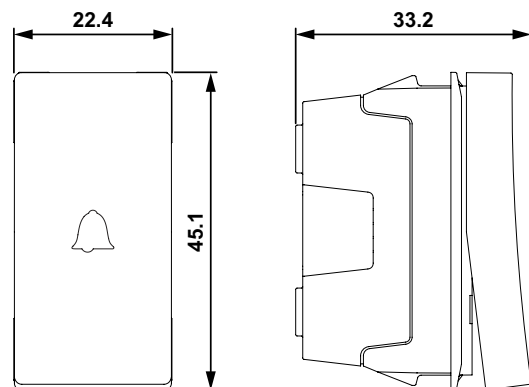
1G Intermediate Switch, Size S



1G Roller Blind Switch, Size S



1G Bell Press Switch, Size S



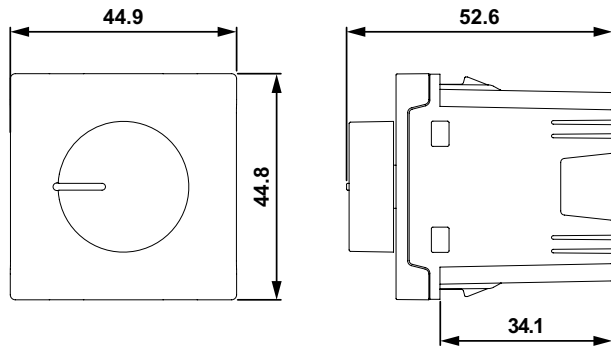
# Technical Information

## Dimensions

### Dimensions (mm)

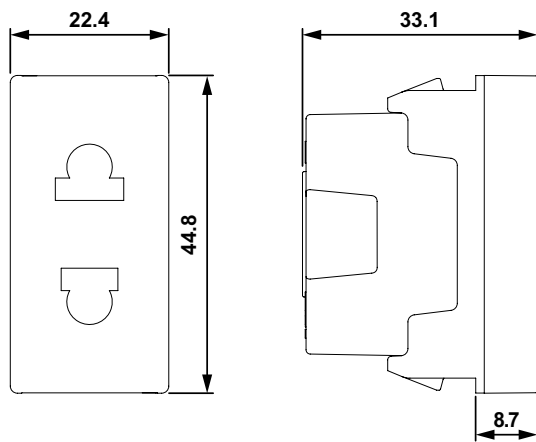
#### Switches

1G Universal Dimmer with Switch, Size 2S

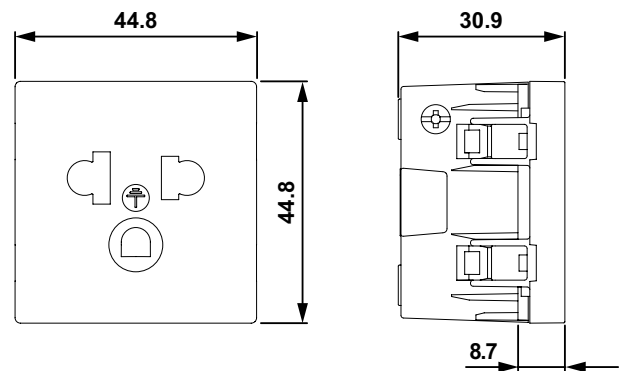


#### Universal Sockets

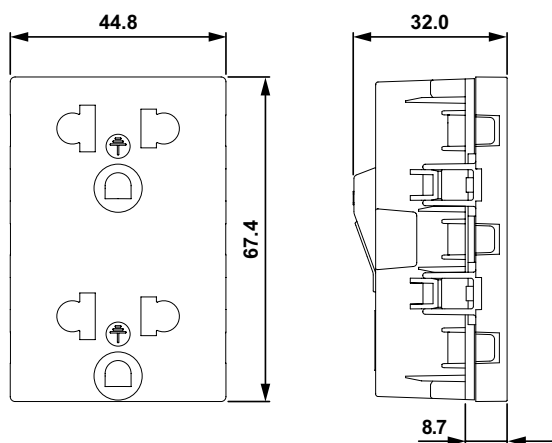
1G, 2-pin, Size S



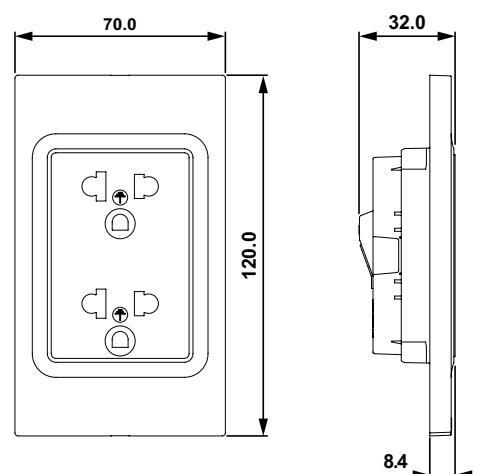
1G, 3-pin, Size 2S



2G, 3-pin, Size 3S



2G, 3-pin



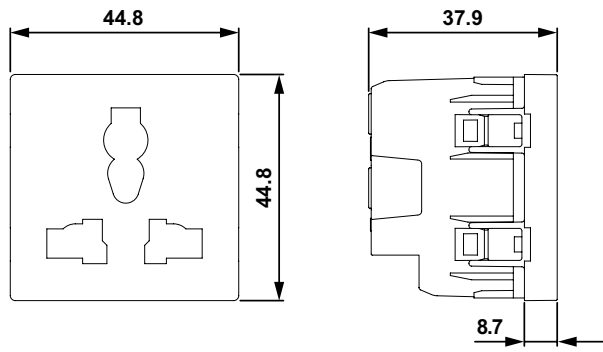
# Technical Information

## Dimensions

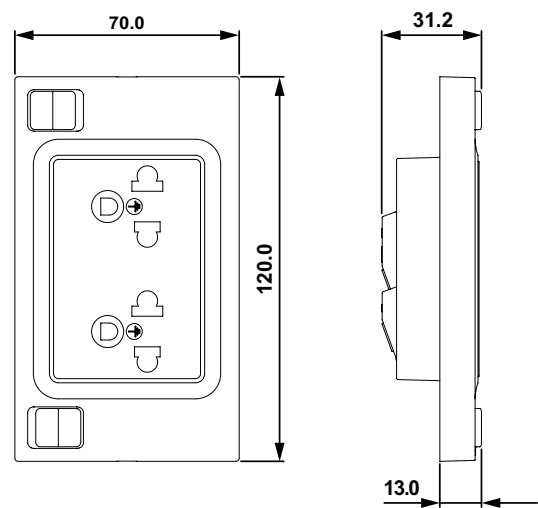
### Dimensions (mm)

#### Sockets and USB Charger

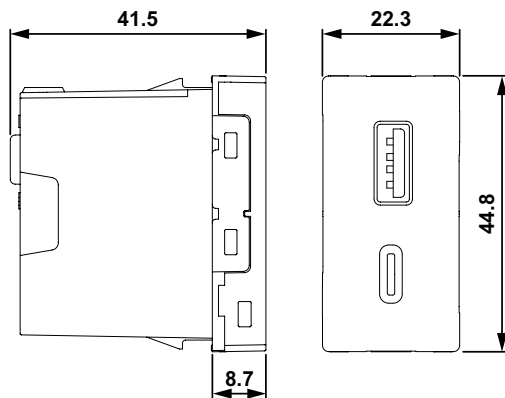
2G International Socket, Size 2S



2G Switched Socket



USB Charger – 21 W, Size S



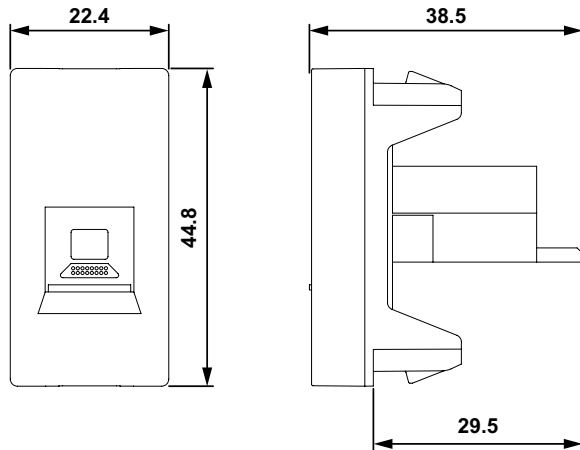
# Technical Information

## Dimensions

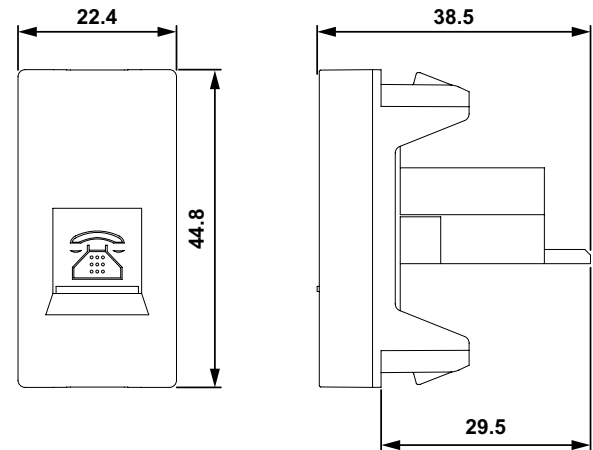
### Dimensions (mm)

### Communication Outlets

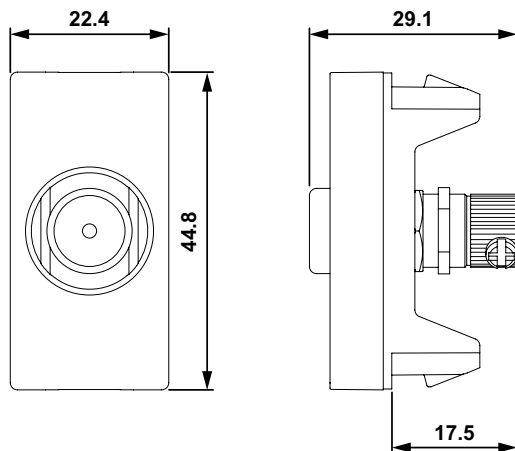
1G Data Outlet with Shutter, Size S



1G Telephone Outlet, Size S



1G TV Outlet, Size S



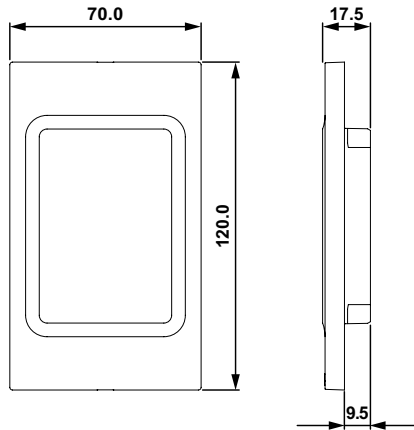
# Technical Information

## Dimensions

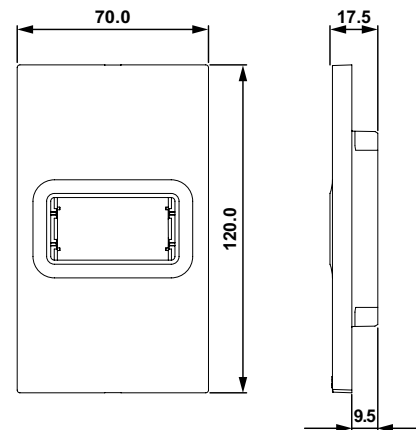
### Dimensions (mm)

#### Cover Plates

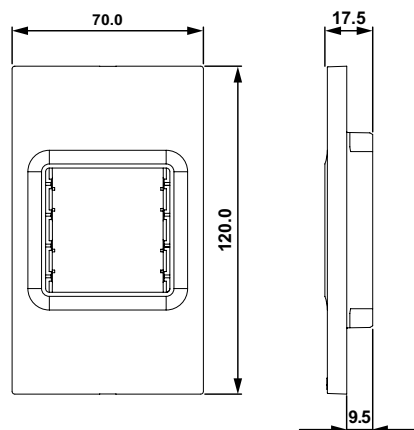
Blank Plate



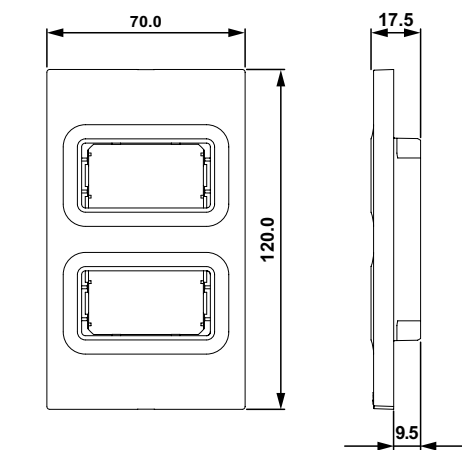
1G



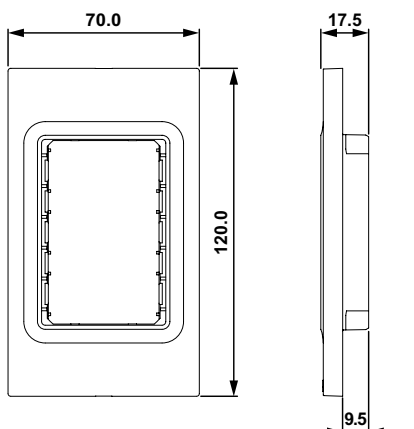
2G



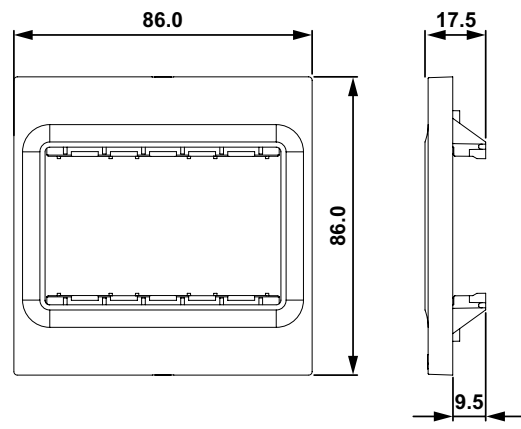
2G



3G



3G



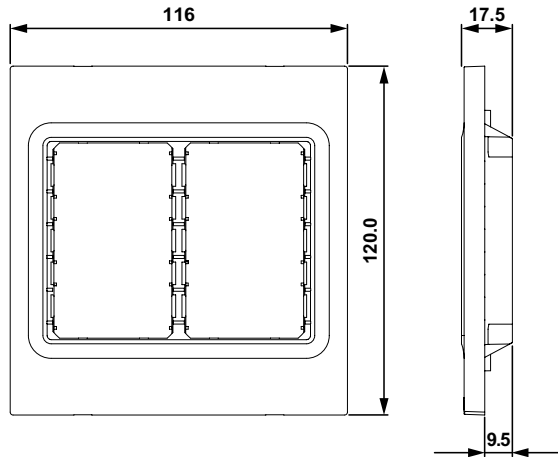
# Technical Information

## Dimensions

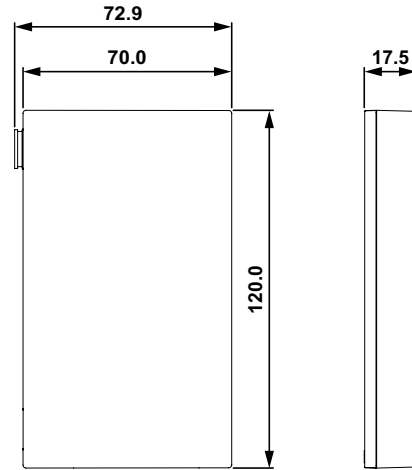
### Dimensions (mm)

#### Cover Plates

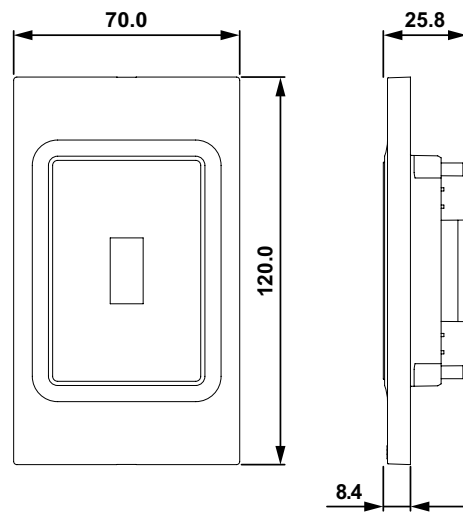
6G



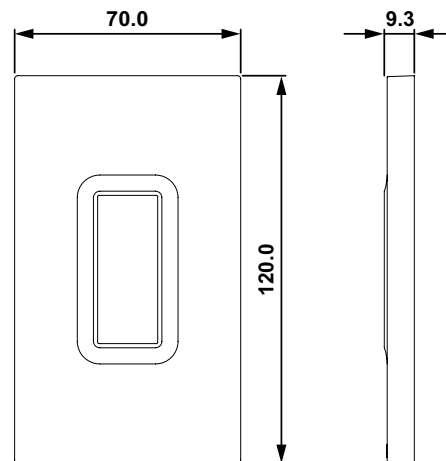
1G Fiber Optic Plate



1G SB Cover Plate



1G MCB Cover Plate



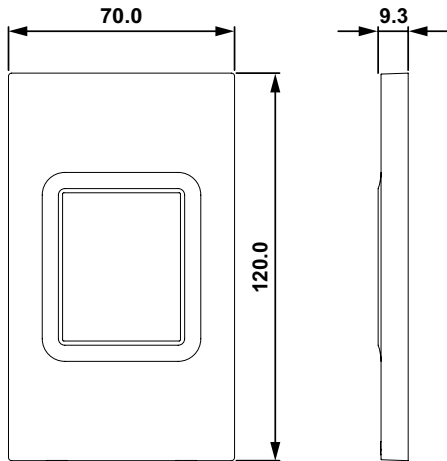
# Technical Information

## Dimensions

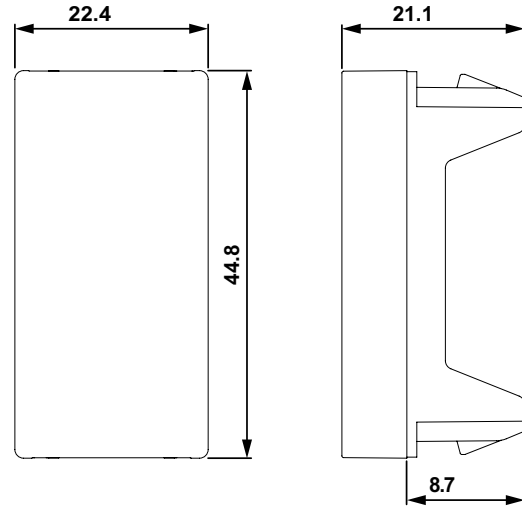
### Dimensions (mm)

#### Cover Plates

2G MCB Cover Plate

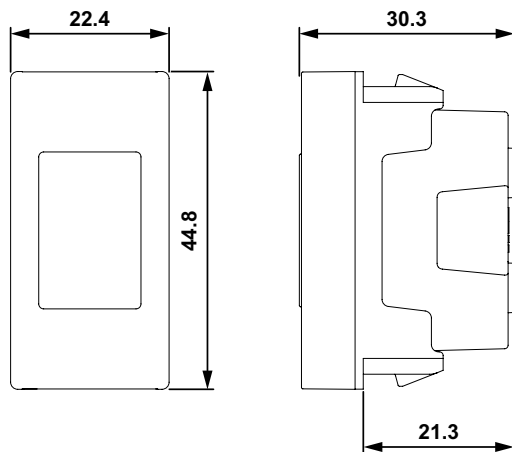


1G Blank Cover Module, Size S



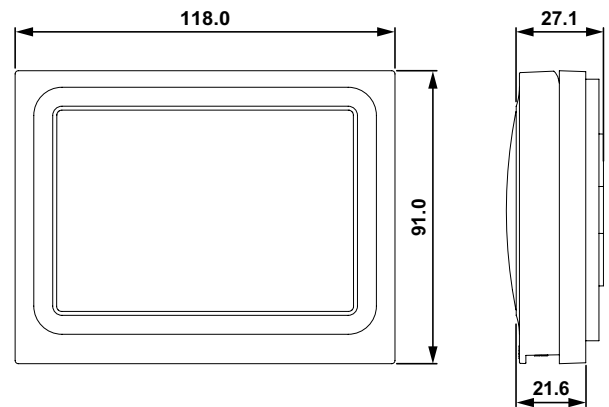
#### Red Neon Indicator

1G, Size S



#### Weather Proof Box

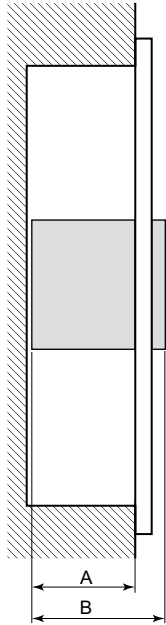
3G



# Technical Information

## Dimensions

### Product Dimensions (mm)



A: Embedding depth  
B: Depth

Ref.	A (mm)	B (mm)
M3TS01_WE	9.5	17.5
M3TS01XS_WE	9.5	17.5
M3TS02_WE	9.5	17.5
M3TS03_WE	9.5	17.5
M3TS06_WE	9.5	17.5
M3TS01MCB_WE	0	9.3
M3TS02MCB_WE	0	9.3
M3TS01SB_WE	17.4	25.8
M3TS01BC_WE	12.45	21.1
M3TS01BP_WE	9.5	17.5
M3TS03_E_WE	9.5	17.5
M3TS31_1_WE	22.3	31.25
M3TS31_2_WE	22.3	31.25
M3TS31_ROL	24.65	33.1
M3TS31_BP_WE	22.3	31.25
M3TS31_D20L_WE	20.95	30
M3TS31_IM_WE	21.45	30.4
M3TSDM_WE	34.1	52.6
M3TS426US_WE	24.4	33.1
M3TS426UST_WE	22.2	30.9
M3TS426UST2_WE	23.1	31.8
M3TS426_IS_WE	29.2	37.9
A70_SIS_RD	23.1	31.8
A70_SIS_YL	23.1	31.8
M3TS_SIS_WE	18.2	31.2
M3TS_USB2_WE	32.8	41.5
M3TSRJ4M_WE	29.5	38.5
M3TSRJ6M_WE	29.5	38.5
M3TSNRD_WE	21.3	30.3
M3TSTV75M_WE	17.45	29.05
M3TSFO_WE	0	17.5
M3TS01WP_WE	5.5	27.1

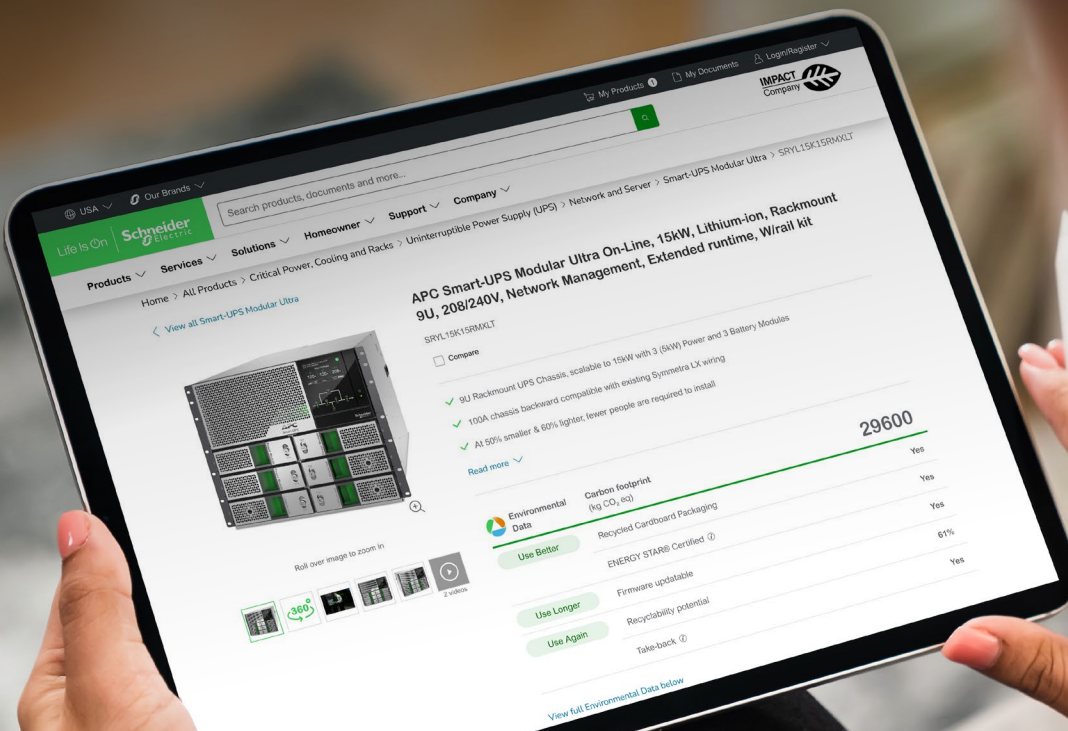
# Reference Numbers Overview

Ref.	Pages
<b>A</b>	
A70_SIS_RD	8
A70_SIS_YL	8
<b>M</b>	
M3TS01BC_WE	10
M3TS01BP_WE	10
M3TS01MCB_WE	10
M3TS01SB_WE	10
M3TS01_WE	10
M3TS01WP_WE	10
M3TS01XS_WE	10
M3TS02MCB_WE	10
M3TS02_WE	10
M3TS03_E_WE	10
M3TS03_WE	10
M3TS06_WE	10
M3TS31_1_WE	6
M3TS31_2_WE	6
M3TS31_BP_WE	6
M3TS31_D20L_WE	6
M3TS31_IM_WE	6
M3TS31_ROL	6
M3TS426_IS_WE	8
M3TS426UST2_WE	8
M3TS426UST_WE	8
M3TS426US_WE	8
M3TSDM_WE	7
M3TSFO_WE	10
M3TSNRD_WE	10
M3TSRJ4M_WE	9
M3TSRJ6M_WE	9
M3TS_SIS_WE	8
M3TSTV75M_WE	9
M3TS_USB2_WE	8





# Environmental Data Program

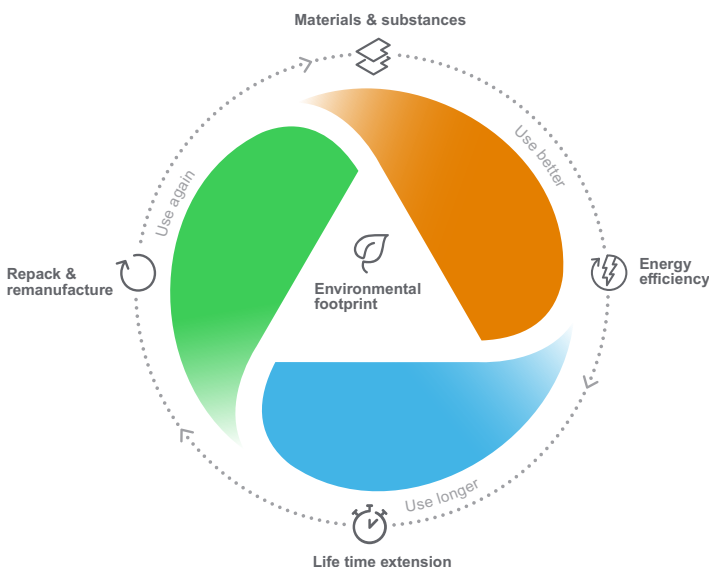


## Next-level transparency for better-informed product choices

The Environmental Data Program is a framework for how we measure, categorize, and compare the environmental attributes and footprint of our products.

Using a rigorous, fact-based methodology, the program provides environmental data from across the product lifecycle.

### Five data categories across the product lifecycle



**Use Better:** How sustainable a product is, including environmental footprint, materials and substances, packaging, and energy efficiency.

**Use Longer:** How a product's life time can be effectively extended in terms of repairability and updatability.

**Use Again:** How a product can be reused, from dismantling and remanufacturing to recyclability and manufacturer take back.

With this transparent, verified data, customers and partners are empowered to make conscious environmental choices and accurately evaluate and report on sustainability performance.

All our hardware offers have an associated environmental data available on se.com product pages.



Learn more about the **Environmental Data Program**

Life Is On | **Schneider**  
Electric

Schneider Electric Industries SAS

35, rue Joseph Monier  
CS 30323  
92506 Rueil Malmaison Cedex  
France

RCS Nanterre 954 503 439  
Capital social 928 298 512 €  
[www.se.com](http://www.se.com)

06-2025

© 2025 - Schneider Electric. All Rights Reserved.  
All trademarks are owned by Schneider Electric Industries SAS or its affiliated companies.  
Document reference: LSB03209EN

This document has been  
printed on recycled paper

