



Vivace E

Catalog 2025

se.com

Life Is On

Schneider
Electric



Contents

Presentation	4
Controls	7
Specialized Controls	10
Comfort Controls	11
Sockets	15
USB Chargers	17
Communication Outlets.....	19
Cover Frames and Accessories.....	23
Technical Information.....	24
Connections	25
Dimensions.....	28
Reference Numbers	39

Vivace E: The Evolution of Elegance and Functionality

The high-gloss white finish, pure and refreshing, enhances any room with its understated elegance, while the slim profile and curved corners ensure that the switch doesn't just fit in – it stands out.

- Slim profile
- Sleek, frameless large panel
- Curved corner design



Elegance in Perfect Balance

- Exquisite aesthetics, blends seamlessly into various interior styles
- Smooth touch, gentle pressure, and strong rebound, balancing aesthetics with practicality



Feel the craftsmanship: Effortless installation and safety design

- Enlarged socket terminals, allowing effortless insertion of 2×4 mm cables, making looping and connecting larger adapters or plugs a breeze
- Bottom holes on the cover for quick and hassle-free dismantling, simplifying the process for users and electricians alike
- Equipped with a safety shutter for added protection, ensuring peace of mind



Adapt to the modern world


Innovative design that anticipates your needs and adapts to the modern world

Vivace E offers advanced functions, easily adapting to diverse projects and customer requirements.



High quality and sustainability

All materials used in Vivace E are sustainable.



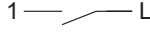




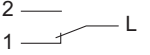




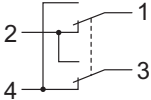


- 20000+**
Mechanical switch ON/OFF
Lifetime*
- 5000+**
Socket plug in/out
Lifetime*
- Safety**
Compliant with BS, IEC standards

Vivace E Controls Specialized Controls Comfort Controls






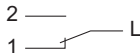






Vivace E Controls

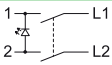


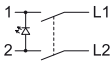

Switches – 10 AX – 250 V AC

	1G	2G	3G	4G
				
				
1-way				
<input type="checkbox"/> White	KBN31_1_WE KBN31_1_WE_G11	KBN32_1_WE KBN32_1_WE_G11	KBN33_1_WE KBN33_1_WE_G11	KBN34_1_WE KBN34_1_WE_G11
	1G	2G	3G	4G
				
				
2-way				
<input type="checkbox"/> White	KBN31_2_WE KBN31_2_WE_G11	KBN32_2_WE KBN32_2_WE_G11	KBN33_2_WE KBN33_2_WE_G11	KBN34_2_WE KBN34_2_WE_G11
	1G	2G		
				
				
Intermediate				
<input type="checkbox"/> White	KBN31IM_WE KBN31IM_WE_G11	KBN32IM_WE KBN32IM_WE_G11		
<input checked="" type="checkbox"/> Black	KBN31IM_BK	—		
<input checked="" type="checkbox"/> Wine gold	KBN31IM_WG	—		
<input checked="" type="checkbox"/> Light grey	KBN31IM_LG	—		

Switches – 16 AX – 250 V AC

	1G	2G	3G	4G
				
				
1-way				
<input type="checkbox"/> White	KBN3116_1_WE KBN3116_1_WE_G11	KBN3216_1_WE KBN3216_1_WE_G11	KBN3316_1_WE KBN3316_1_WE_G11	KBN3416_1_WE KBN3416_1_WE_G11
<input checked="" type="checkbox"/> Black	KBN3116_1_BK	KBN3216_1_BK	KBN3316_1_BK	KBN3416_1_BK
<input checked="" type="checkbox"/> Wine gold	KBN3116_1_WG	KBN3216_1_WG	KBN3316_1_WG	KBN3416_1_WG
<input checked="" type="checkbox"/> Light grey	KBN3116_1_LG	KBN3216_1_LG	KBN3316_1_LG	KBN3416_1_LG
	1G	2G	3G	4G
				
				
2-way				
<input type="checkbox"/> White	KBN3116_2_WE KBN3116_2_WE_G11	KBN3216_2_WE KBN3216_2_WE_G11	KBN3316_2_WE KBN3316_2_WE_G11	KBN3416_2_WE KBN3416_2_WE_G11
<input checked="" type="checkbox"/> Black	KBN3116_2_BK	KBN3216_2_BK	KBN3316_2_BK	KBN3416_2_BK
<input checked="" type="checkbox"/> Wine gold	KBN3116_2_WG	KBN3216_2_WG	KBN3316_2_WG	KBN3416_2_WG
<input checked="" type="checkbox"/> Light grey	KBN3116_2_LG	KBN3216_2_LG	KBN3316_2_LG	KBN3416_2_LG
<input checked="" type="checkbox"/> Red	KBN3116_2_RD_G11	KBN3216_2_RD_G11	KBN3316_2_RD_G11	—
<input checked="" type="checkbox"/> Yellow	KBN3116_2_YL_G11	KBN3216_2_YL_G11	KBN3316_2_YL_G11	—

Switches with LED Indicator – 20 A – 250 V AC

	1G	2G
	2-pole	
		
		
1-way		
<input type="checkbox"/> White	KBN31D20N_WE KBN31D20N_WE_G11	KBN32D20N_WE KBN32D20N_WE_G11
<input checked="" type="checkbox"/> Black	KBN31D20N_BK	—
<input checked="" type="checkbox"/> Wine gold	KBN31D20N_WG	—
<input checked="" type="checkbox"/> Light grey	KBN31D20N_LG	—
	1G	
	2-pole	
		
		
2-way		
<input type="checkbox"/> White	KBN31D20N_2_WE KBN31D20N_2_WE_G11	

Vivace E

Controls

Switches with LED Indicator – 32 A – 250 V AC

	1G
	2-pole
1-way	
<input type="checkbox"/> White	KBN31D32N_WE
	KBN31D32N_WE_G11

Switches with LED Indicator – 45 A – 250 V AC

	1G
	2-pole
1-way	
<input type="checkbox"/> White	KBN31D45N_WE
	KBN31D45N_WE_G11

Vivace E

Specialized Controls

Bell Press Switch – 10 A – 250 V AC



<input type="checkbox"/> White	KBN31BP_WE KBN31BP_WE_G11
<input checked="" type="checkbox"/> Black	KBN31BP_BK
<input type="checkbox"/> Wine gold	KBN31BP_WG
<input type="checkbox"/> Light grey	KBN31BP_LG

Door Exit Press Switch – 10 A – 250 V AC



<input type="checkbox"/> White	KBN31DEP_WE KBN31DEP_WE_G11
--------------------------------	--------------------------------

Dimmer with Switch






1-way	
<input type="checkbox"/> White	KBN31RD250U_WE KBN31RD250U_WE_G11
<input checked="" type="checkbox"/> Black	KBN31RD250U_BK
<input type="checkbox"/> Wine gold	KBN31RD250U_WG
<input type="checkbox"/> Light grey	KBN31RD250U_LG


Vivace E

Comfort Controls

Momentary Switches – 10 A – 250 V AC

	1G	2G	3G
			
1-way			
<input type="checkbox"/> White	KBN31PR_WE KBN31PR_WE_G11	KBN32PR_WE KBN32PR_WE_G11	KBN33PR_WE KBN33PR_WE_G11
<input checked="" type="checkbox"/> Black	KBN31PR_BK	KBN32PR_BK	KBN33PR_BK
<input checked="" type="checkbox"/> Wine gold	KBN31PR_WG	KBN32PR_WG	KBN33PR_WG
<input checked="" type="checkbox"/> Light grey	KBN31PR_LG	KBN32PR_LG	KBN33PR_LG

Universal Shaver – 115 /240 V AC

	
<input type="checkbox"/> White	KBNT727V_WE KBNT727V_WE_G11
<input checked="" type="checkbox"/> Black	KBNT727V_BK
<input checked="" type="checkbox"/> Wine gold	KBNT727V_WG
<input checked="" type="checkbox"/> Light grey	KBNT727V_LG


DND, PCU Indicator with Bell Switch

	
<input type="checkbox"/> White	KBN31BPDM_WE KBN31BPDM_WE_G11
<input checked="" type="checkbox"/> Black	KBN31BPDM_BK
<input checked="" type="checkbox"/> Wine gold	KBN31BPDM_WG
<input checked="" type="checkbox"/> Light grey	KBN31BPDM_LG

Night Foot Lamp with PIR Sensor

	
<input type="checkbox"/> White	KBNPFLIR_WE KBNPFLIR_WE_G11


Electronic Key Card Switch – 16 A - 250 V AC

	
<input type="checkbox"/> White	KBN31EKT_WE KBN31EKT_WE_G11
<input checked="" type="checkbox"/> Black	KBN31EKT_BK
<input checked="" type="checkbox"/> Wine gold	KBN31EKT_WG
<input checked="" type="checkbox"/> Light grey	KBN31EKT_LG


Vivace E

Comfort Controls

Switch with DND, PCU Symbol – 16 AX – 250 V AC

2G	
	
<input type="checkbox"/> White	KBN32DMS_WE KBN32DMS_WE_G11
<input checked="" type="checkbox"/> Black	KBN32DMS_BK
<input type="checkbox"/> Wine gold	KBN32DMS_WG
<input type="checkbox"/> Light grey	KBN32DMS_LG

Mechanical Curtain Switch with LED Indicator – 10 A

2G	
	
<input type="checkbox"/> White	KBN32CF_WE KBN32CF_WE_G11

Panic Button with Key Reset

	
<input type="checkbox"/> White	KBN31KPB_WE

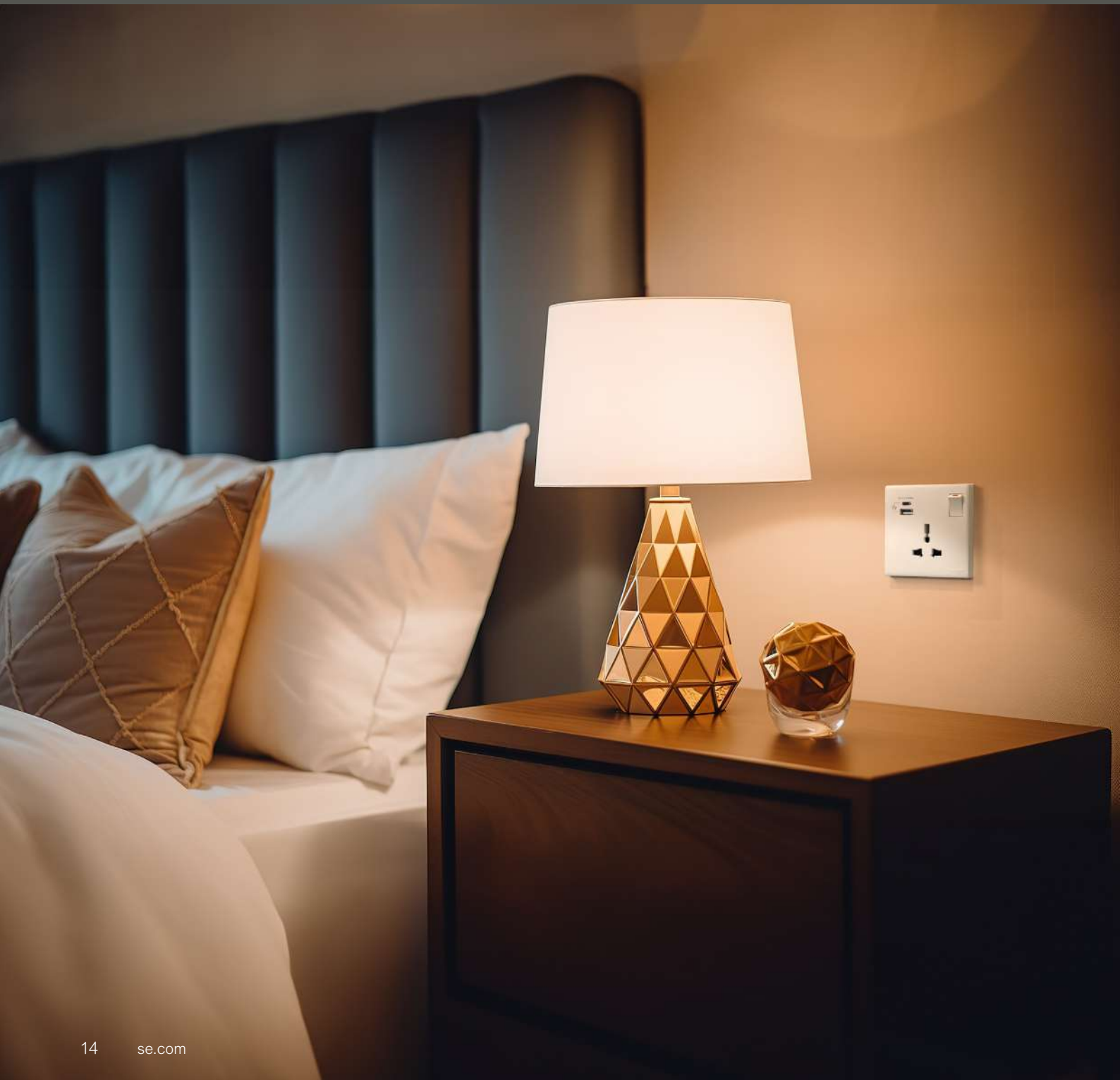
Door Chime

	
<input type="checkbox"/> White	KBN31DC_WE KBN31DC_WE_G11



Vivace E



Sockets and USB Chargers





Vivace E

Sockets




Schuko Sockets with Shutter – 16 A – 250 V AC

	1G	2G
		
<input type="checkbox"/> White	KBN426_16S_WE_G3	KBNT426_16S_WE_G3
<input checked="" type="checkbox"/> Black	KBN426_16S_BK	KBNT426_16S_BK
<input checked="" type="checkbox"/> Wine gold	KBN426_16S_WG	KBNT426_16S_WG
<input checked="" type="checkbox"/> Light grey	KBN426_16S_LG	KBNT426_16S_LG


Universal Sockets – 16 A – 250 V AC

	1G, 3-pin	2G, 3-pin
		
<input type="checkbox"/> White	KBN426UEST_WE_G19	KBNT426UEST_WE_G19

Switched Sockets – 13 A – 250 V AC


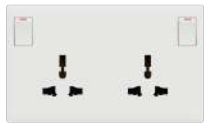
	1G	1G Dolly	2G
			
<input type="checkbox"/> White	KBN15_WE KBN15_WE_G11	—	KBNT25_WE KBNT25_WE_G11
<input checked="" type="checkbox"/> Black	KBN15_BK	—	KBNT25_BK
<input checked="" type="checkbox"/> Wine gold	KBN15_WG	—	KBNT25_WG
<input checked="" type="checkbox"/> Light grey	KBN15_LG	—	KBNT25_LG
<input checked="" type="checkbox"/> Red	KBN15_RD_G11	KBN15_RDWE_G11	—
<input checked="" type="checkbox"/> Yellow	KBN15_YL_G11	KBN15_YLWE_G11	—

Switched Socket – 15 A – 250 V AC



	1G, 3-pin
	
<input type="checkbox"/> White	KBN15_15_WE KBN15_15_WE_G11
<input checked="" type="checkbox"/> Black	KBN15_15_BK
<input checked="" type="checkbox"/> Wine gold	KBN15_15_WG
<input checked="" type="checkbox"/> Light grey	KBN15_15_LG

Vivace E Sockets



Switched International Sockets – 13 A – 250 V AC

	1G	2G
		
<input type="checkbox"/> White	KBN15_IS_WE KBN15_IS_WE_G11	KBNT25_IS_WE KBNT25_IS_WE_G11
<input checked="" type="checkbox"/> Black	KBN15_IS_BK	—
<input checked="" type="checkbox"/> Wine gold	KBN15_IS_WG	—
<input checked="" type="checkbox"/> Light grey	KBN15_IS_LG	—

Switched Sockets with USB Charger – 2.1 A

	1G	2G
	Type (A+C)	
		
<input type="checkbox"/> White	KBN15USB_WE KBN15USB_WE_G11 KBN15USB_WE_G2	— KBNT25USB_WE_G11 KBNT25USB_WE_G2
<input checked="" type="checkbox"/> Black	KBN15USB_BK	—
<input checked="" type="checkbox"/> Wine gold	KBN15USB_WG	—
<input checked="" type="checkbox"/> Light grey	KBN15USB_LG	—


Switched International Sockets with USB Charger – 2.1 A

	1G	2G
	Type (A+C)	
		
<input type="checkbox"/> White	KBN15USB_IS_WE KBN15USB_IS_WE_G11 KBN15USB_IS_WE_G2	— KBNT25USB_IS_G11 KBNT25USB_IS_WE_G2
<input checked="" type="checkbox"/> Black	KBN15USB_IS_BK	—
<input checked="" type="checkbox"/> Wine gold	KBN15USB_IS_WG	—
<input checked="" type="checkbox"/> Light grey	KBN15USB_IS_LG	—

Vivace E

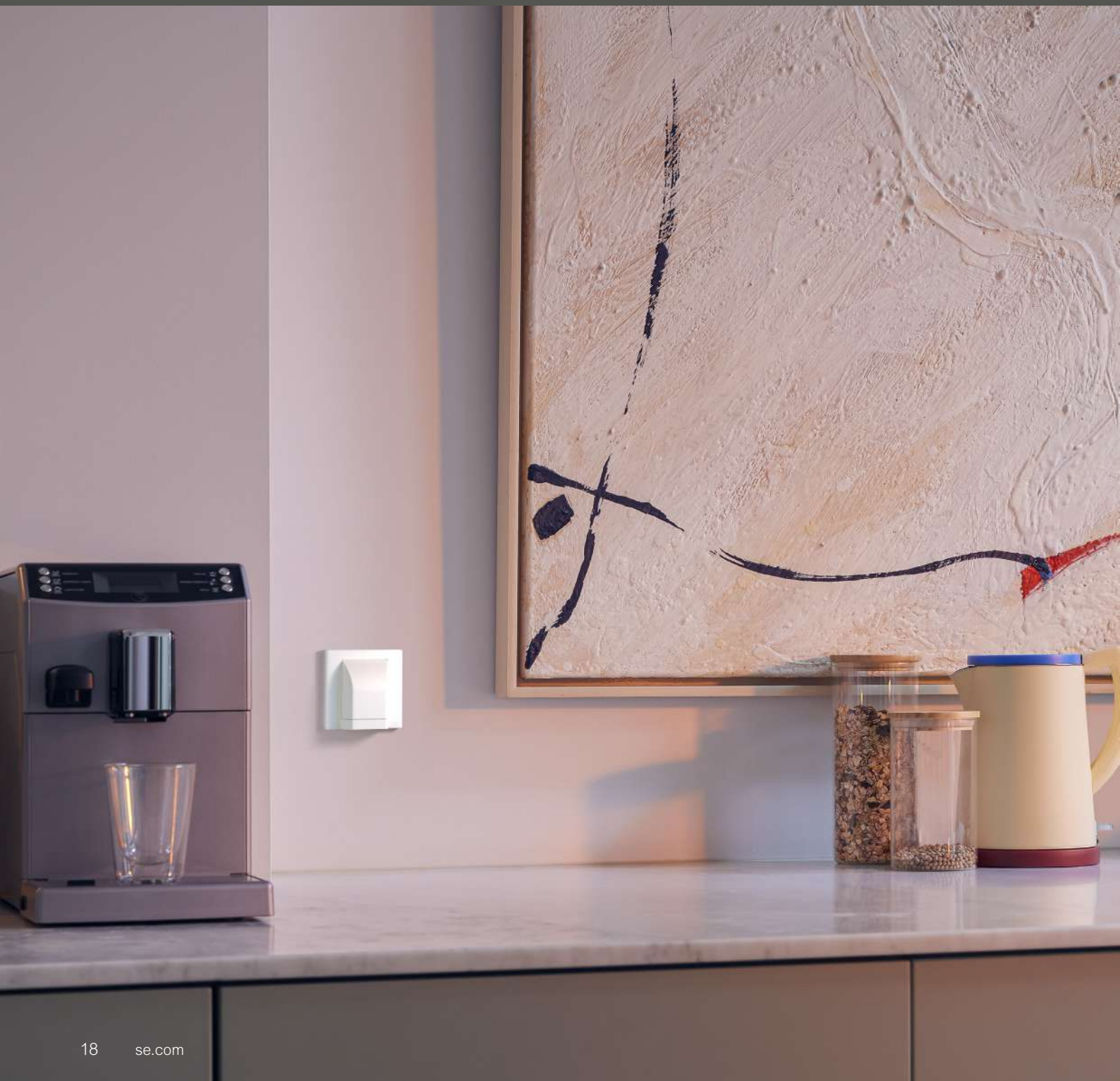
USB Chargers

USB Charger – 21 W

Type (A+C), PD+QC 3.0	
	
<input type="checkbox"/> White	KBNACQUSB_WE KBNACQUSB_WE_G11 KBNACQUSB_WE_G2
<input checked="" type="checkbox"/> Black	KBNACQUSB_BK
<input type="checkbox"/> Wine gold	KBNACQUSB_WG
<input type="checkbox"/> Light grey	KBNACQUSB_LG

Vivace E

Communication Outlets



Communication Outlets

Fused Connection Unit with LED Indicator – 13 A – 250 V AC



□ White

KBN31FSG_WE

Connection Unit – 25 A – 250 V AC



□ White

KBN31TB_WE

KBN31TB_WE_G11

IP25 Connection Unit – 25 A – 250 V AC



□ White

KBN31IPTB_WE_G11

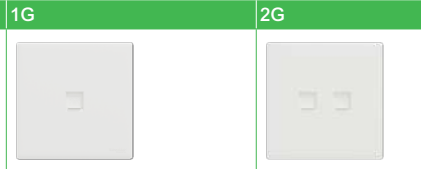
Connection Unit – 45 A – 250 V AC



□ White

KBN31554_WE

Shuttered Telephone Socket



□ White

KBN31RJ4_WE

KBN32RJ4_WE

■ Black

KBN31RJ4_BK

KBN32RJ4_BK

■ Wine gold

KBN31RJ4_WG

KBN32RJ4_WG

■ Light grey

KBN31RJ4_LG

KBN32RJ4_LG

Cat. 5 Socket



□ White

KBN31RJ5_WE

KBN32RJ5_WE

■ Black

KBN31RJ5_BK

KBN32RJ5_BK

■ Wine gold

KBN31RJ5_WG

KBN32RJ5_WG


■ Light grey

KBN31RJ5_LG


KBN32RJ5_LG

Communication Outlets


TV Socket – 75 Ohm

1G	
	
<input type="checkbox"/> White	KBN31TV_WE
<input checked="" type="checkbox"/> Black	KBN31TV_BK
<input type="checkbox"/> Wine gold	KBN31TV_WG
<input type="checkbox"/> Light grey	KBN31TV_LG


Cat. 6 Socket

	1G	2G
		
<input type="checkbox"/> White	KBN31RJ6_WE	KBN32RJ6_WE
<input checked="" type="checkbox"/> Black	KBN31RJ6_BK	KBN32RJ6_BK
<input type="checkbox"/> Wine gold	KBN31RJ6_WG	KBN32RJ6_WG
<input type="checkbox"/> Light grey	KBN31RJ6_LG	KBN32RJ6_LG


Cable TVF Connector

1G	
	
<input type="checkbox"/> White	KBN31TVF_WE


SMAT TV, FM, F Socket

	
<input type="checkbox"/> White	KBN33SMATV_WE
	KBN33PSMATV_WE


TV+TVF Socket

2G	
	
<input type="checkbox"/> White	KBN32TV_TV_F_WE
<input checked="" type="checkbox"/> Black	KBN32TV_TV_F_BK
<input type="checkbox"/> Wine gold	KBN32TV_TV_F_WG
<input type="checkbox"/> Light grey	KBN32TV_TV_F_LG


TV + Cat. 6 Socket

2G	
	
<input type="checkbox"/> White	KBN32TV6_WE

TVF + Cat. 6 Socket

2G	
	
<input type="checkbox"/> White	KBN32TVF6_WE

Cat. 6 Telephone Socket

2G	
	
<input type="checkbox"/> White	KBN32TDRJ6_WE
<input checked="" type="checkbox"/> Black	KBN32TDRJ6_BK
<input type="checkbox"/> Wine gold	KBN32TDRJ6_WG
<input type="checkbox"/> Light grey	KBN32TDRJ6_LG





Vivace E


Cover Frames and Accessories




Cover Frames and Accessories


Surround Plates

	2G	3G
		
<input type="checkbox"/> White	KBNP_21_WE	KBNP_31_WE
<input checked="" type="checkbox"/> Black	KBNP_21_BK	KBNP_31_BK
<input checked="" type="checkbox"/> Wine gold	KBNP_21_WG	KBNP_31_WG
<input checked="" type="checkbox"/> Light grey	KBNP_21_LG	KBNP_31_LG


	4G
	
<input type="checkbox"/> White	KBNP_41_WE
<input checked="" type="checkbox"/> Black	KBNP_41_BK
<input checked="" type="checkbox"/> Wine gold	KBNP_41_WG
<input checked="" type="checkbox"/> Light grey	KBNP_41_LG

	5G
	
<input type="checkbox"/> White	KBNP_51_WE

Blank Plate

	1G
	
<input type="checkbox"/> White	KBNP_30X_WE
<input checked="" type="checkbox"/> Black	KBNP_30X_BK
<input checked="" type="checkbox"/> Wine gold	KBNP_30X_WG
<input checked="" type="checkbox"/> Light grey	KBNP_30X_LG

Threading Plate

	1G
	
<input type="checkbox"/> White	KBNP_30L_WE

Vivace E

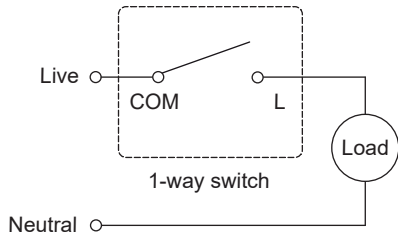
Technical Information



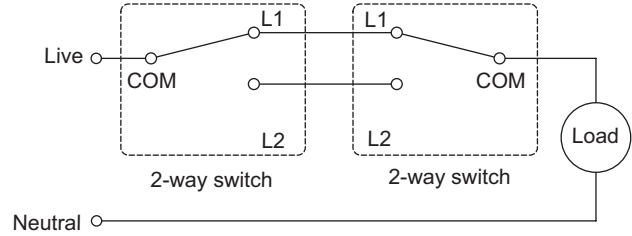
Technical Information Connections

Switches

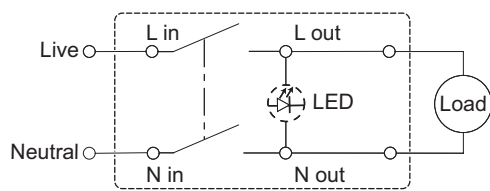
1-way Switch



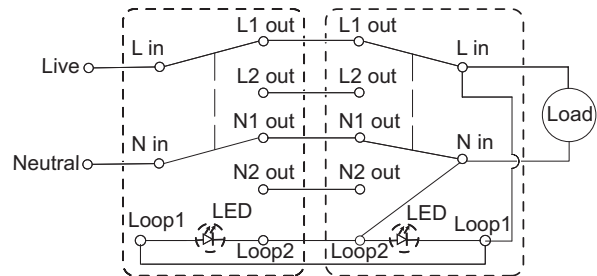
2-way Switch



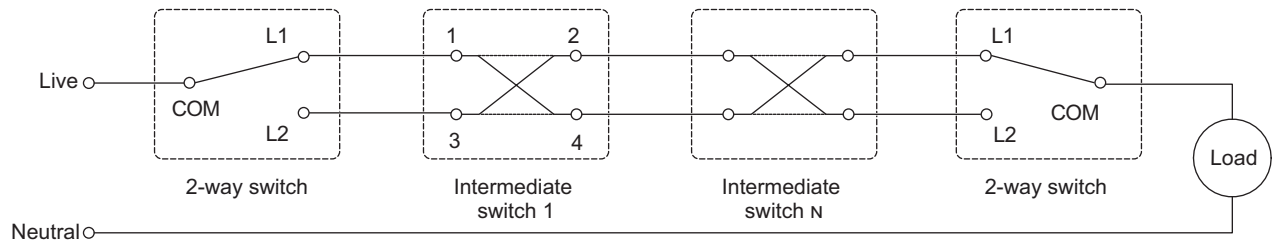
1-way Switch with LED Indicator



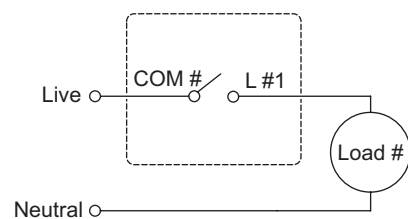
2-way Switch with LED Indicator



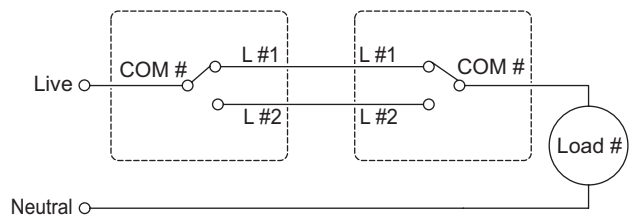
Intermediate Switch



1-way Switch – 4G



2-way Switch – 4G



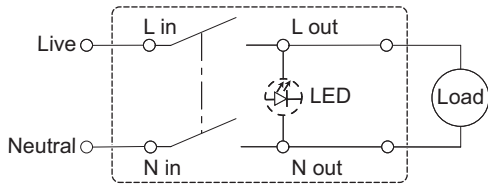
Note: # represents 1/2/3/4

Technical Information

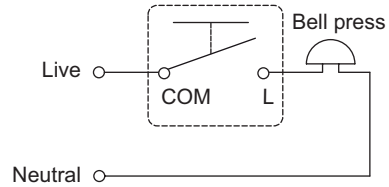
Connections

Switches

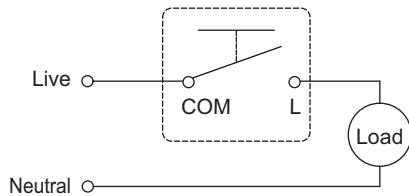
1-way Double Pole Switch



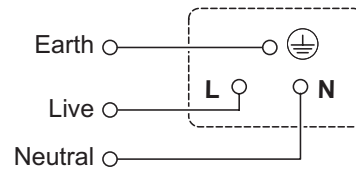
Door Chime, Bell Press, Exit Press Switch



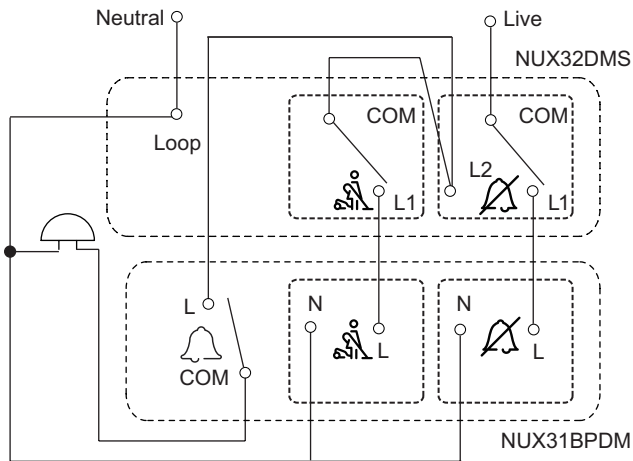
Momentary Switch



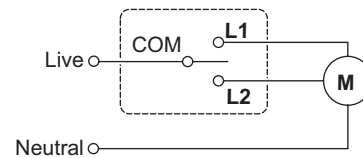
Universal Shaver



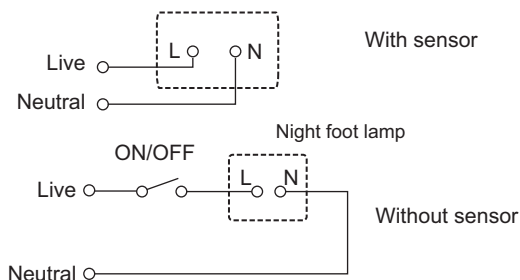
Bell Switch with DND, PCU Symbol



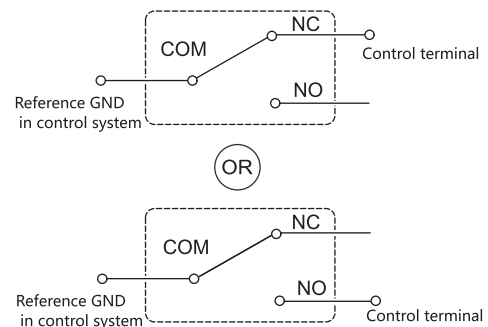
Mechanical Curtain Switch with LED



Night Foot Lamp



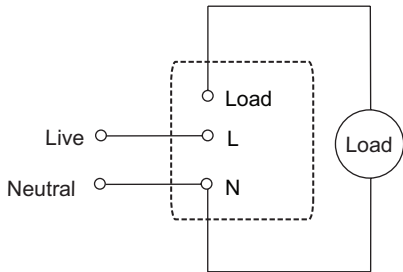
Panic Button with Key Reset



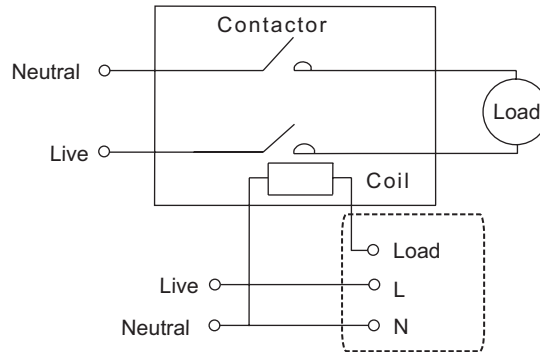
Technical Information Connections

Key Card Switch

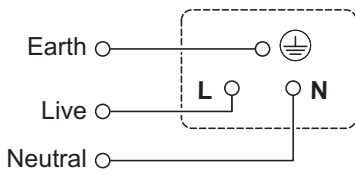
General



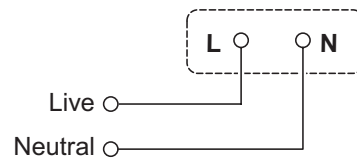
Application for Connect Contactor



Switched Socket, Socket with USB Charger



USB Charger

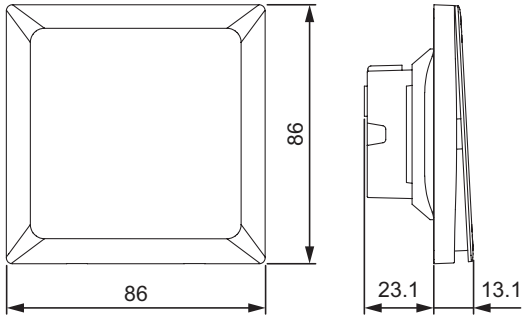


Technical Information

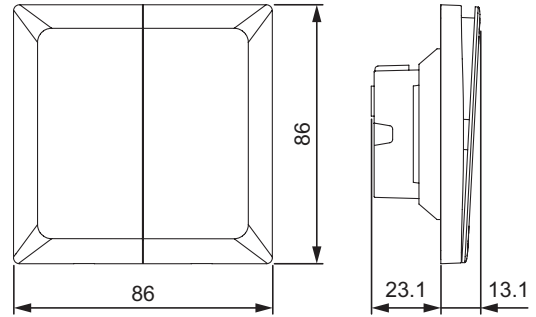
Dimensions

Switches

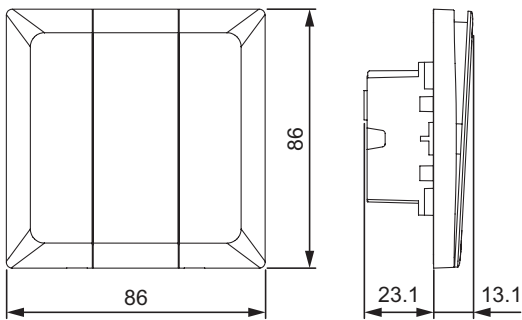
1G Switch, Momentary Switch



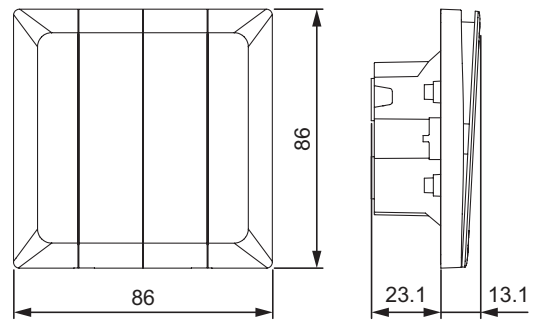
2G Switch, Momentary Switch



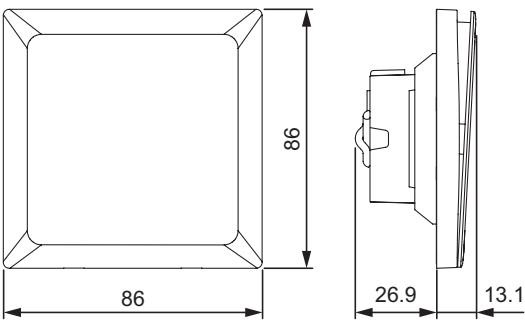
3G Switch, Momentary Switch



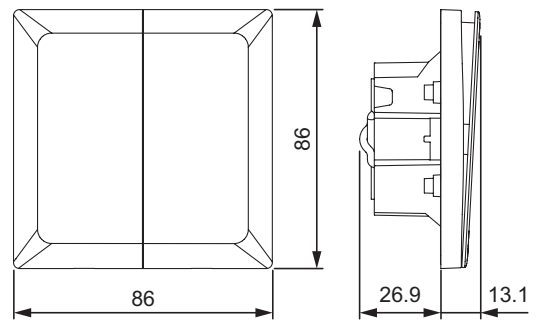
4G Switch



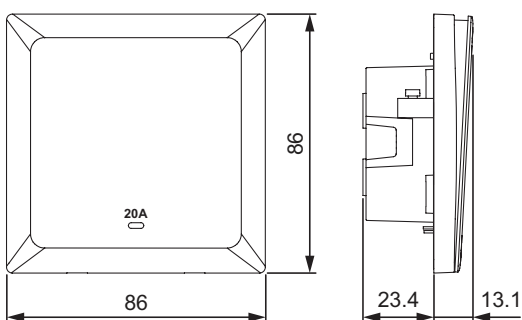
1G Intermediate Switch



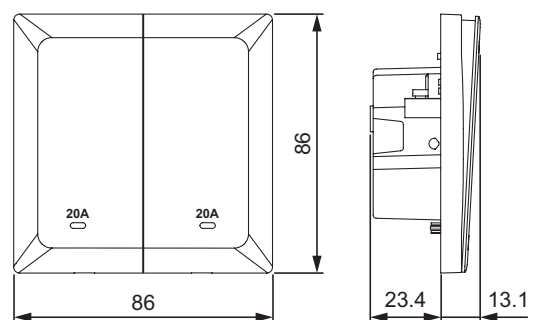
2G Intermediate Switch



1G Switch with LED Indicator – 20 A



2G Switch with LED Indicator – 20 A

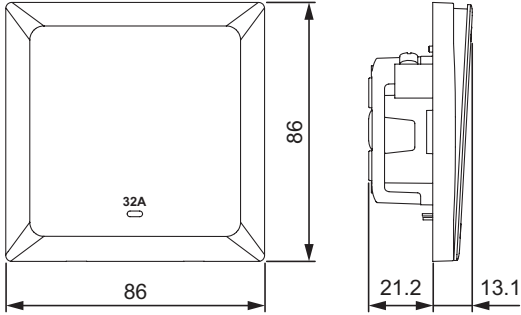


Technical Information

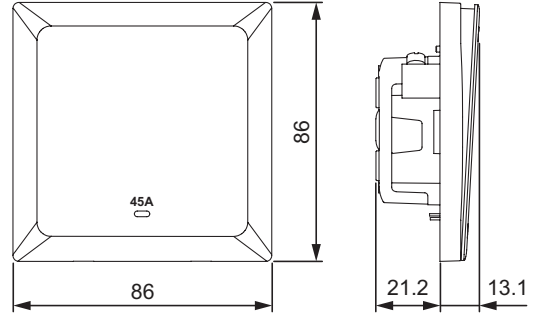
Dimensions

Switches

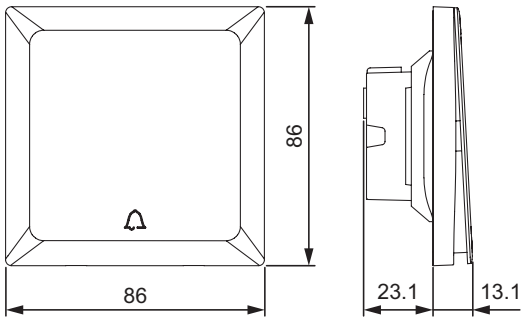
1G Switch with LED Indicator – 32 A



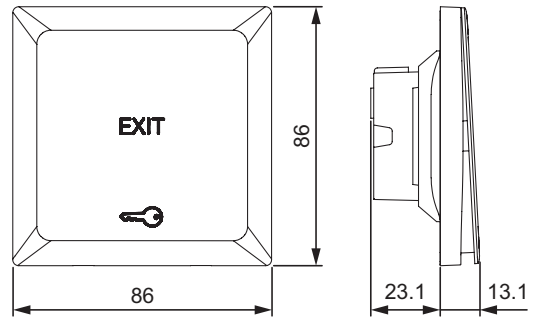
1G Double Pole Switch with LED Indicator – 45 A



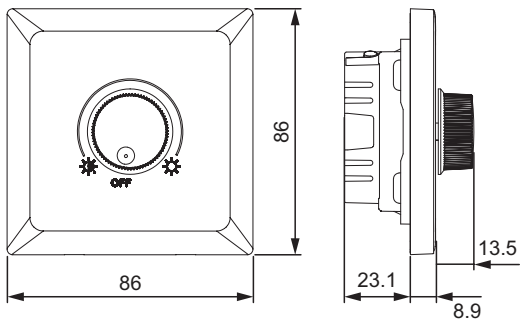
Bell Press Switch



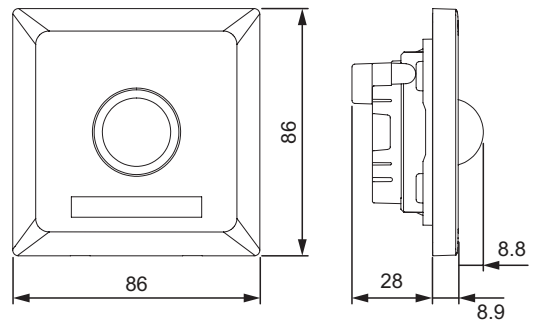
Door Exit Press Switch



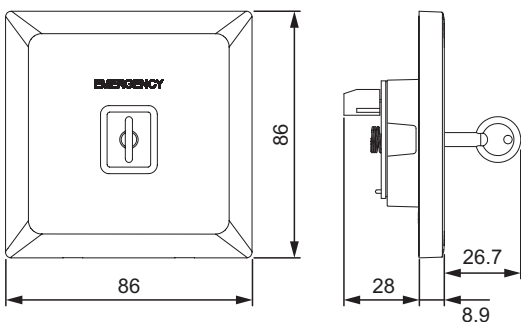
Universal Dimmer Switch



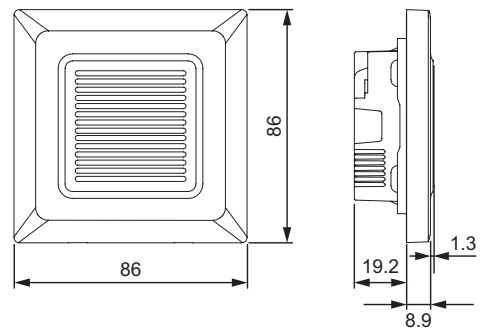
Night Foot Lamp with PIR Sensor



Panic Button with Key Reset



Door Chime

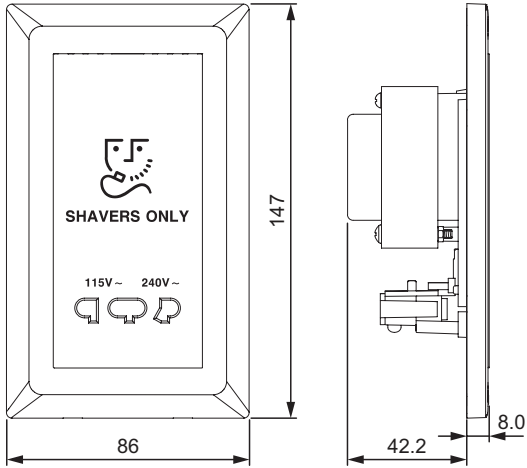


Technical Information

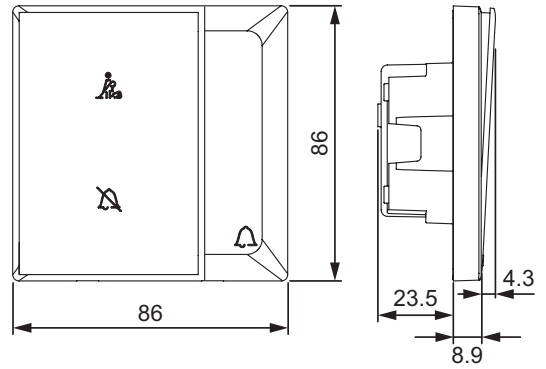
Dimensions

Switches

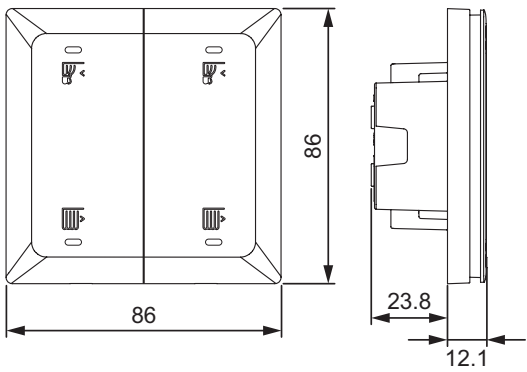
Universal Shaver



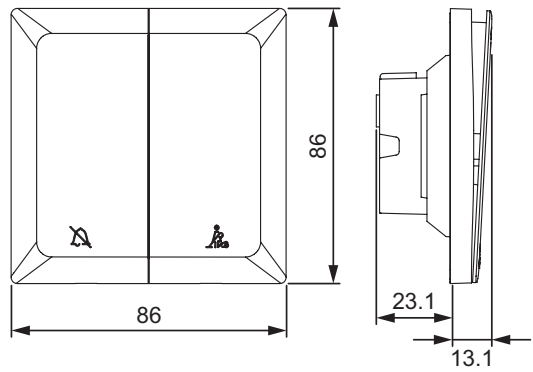
DND, PCU Indicator with Bell Switch



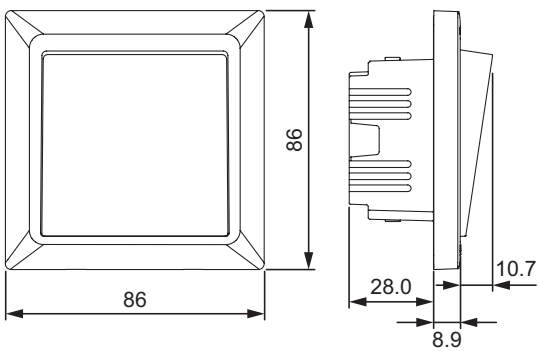
Mechanical Curtain Switch with LED Indicator



Switch with DND, PCU Symbol



Electronic Key Card Switch

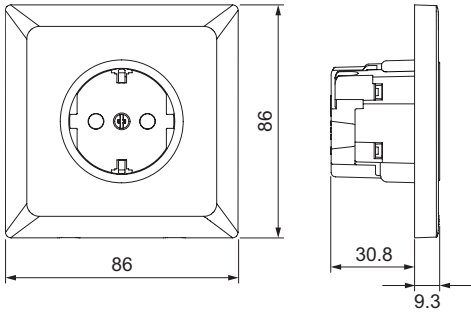


Technical Information

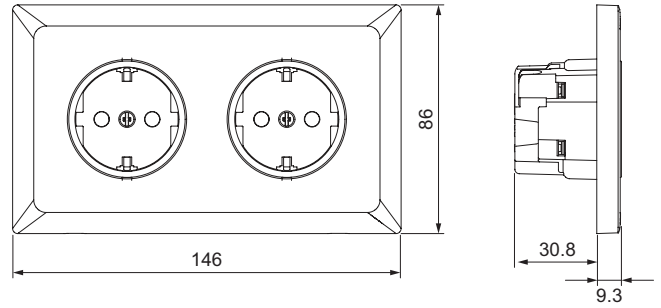
Dimensions

Sockets

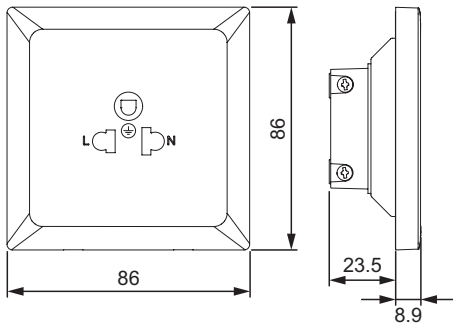
1G Schuko Socket with Shutter



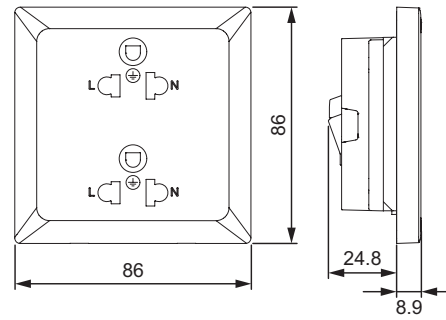
2G Schuko Socket with Shutter



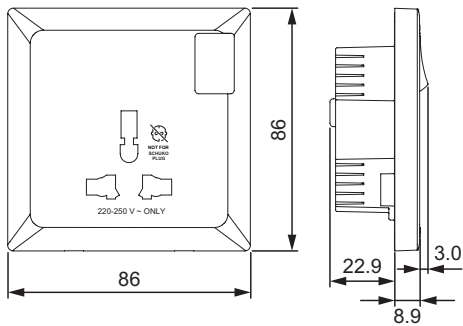
1G Universal Socket



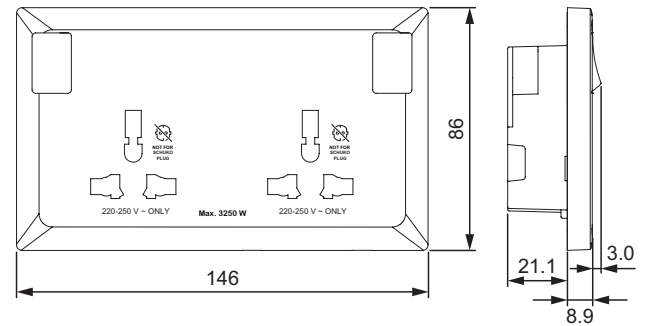
2G Universal Socket



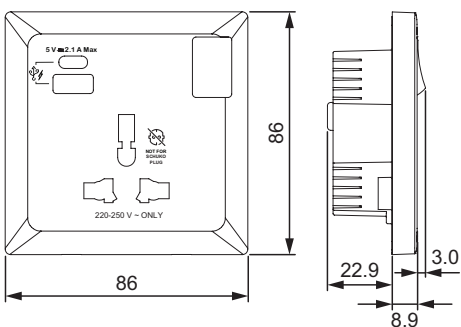
1G Switched International Socket



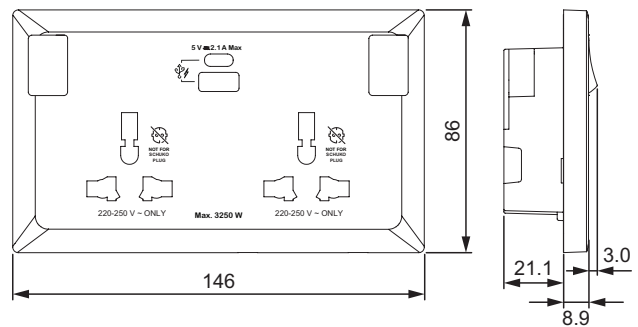
2G Switched International Socket



1G Switched International Socket with USB Type (A+C) – 2.1 A



2G Switched International Socket with USB Type (A+C) – 2.1 A

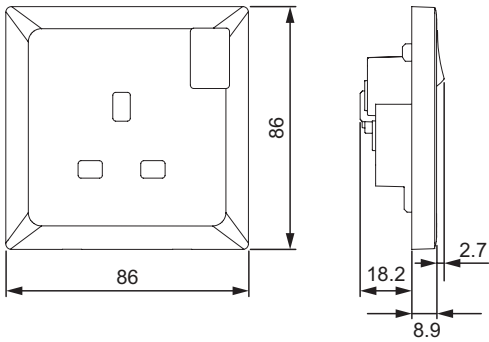


Technical Information

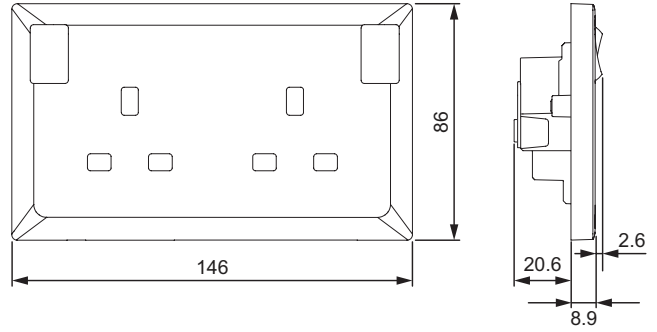
Dimensions

Sockets and USB Chargers

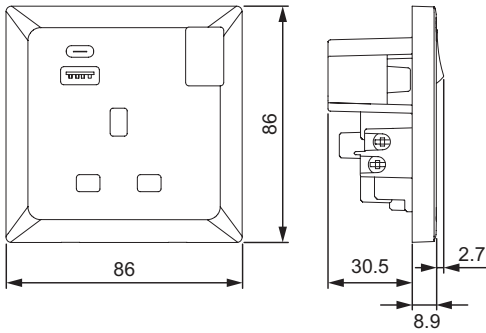
1G Switched Socket – 13 A



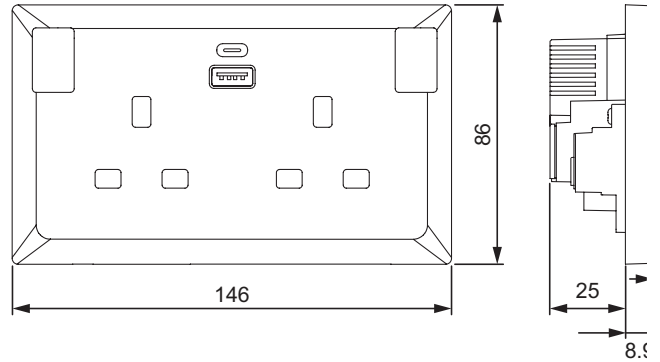
2G Switched Socket – 13 A



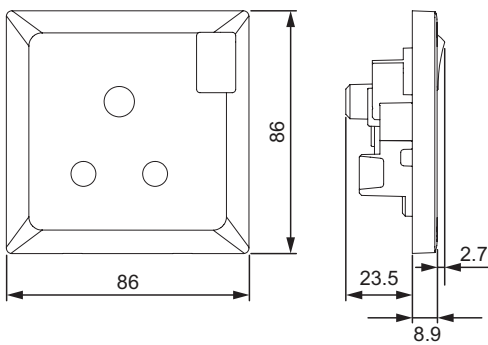
1G Switched Socket with USB Type (A+C) – 2.1 A



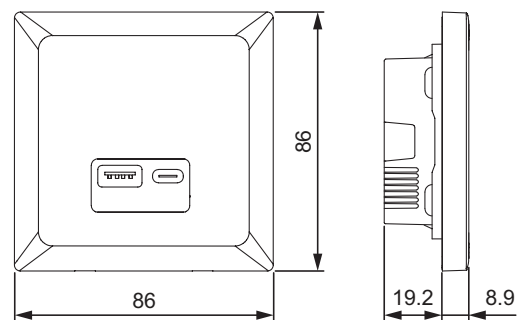
2G Switched Socket with USB Type (A+C) – 2.1 A



1G Switched Socket, 3-pin – 15 A



USB Charger Type (A+C) – 21 W

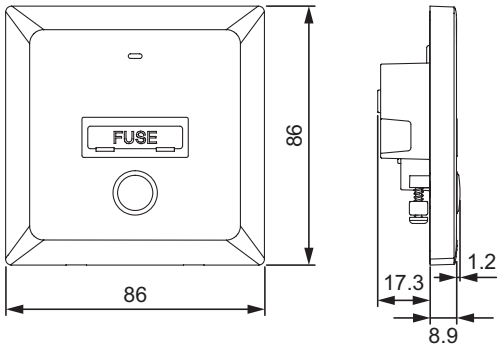


Technical Information

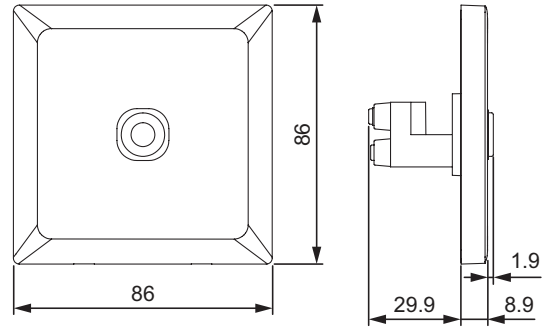
Dimensions

Communication Outlets

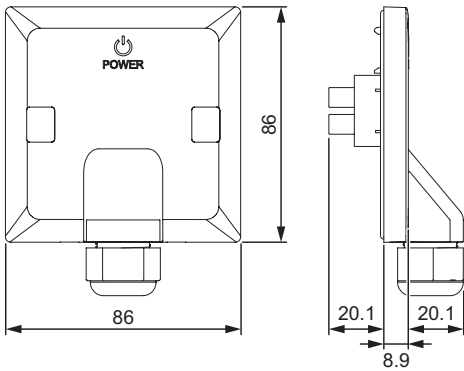
Fused Connection Unit with LED Indicator – 13 A



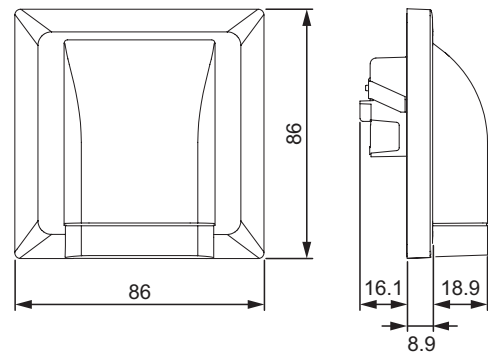
Connection Unit – 25 A



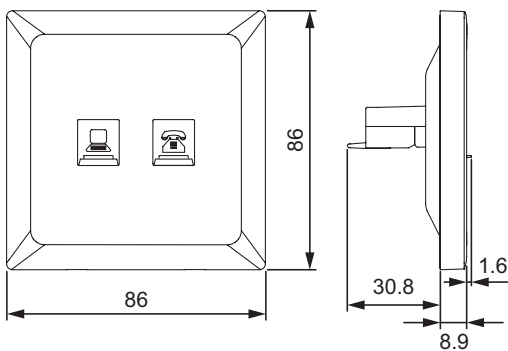
IP25 Connection Unit – 25 A



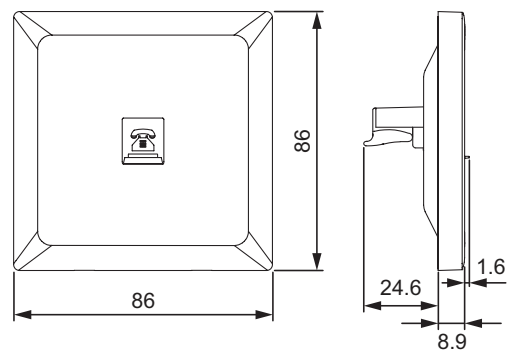
Connection Unit – 45 A



2G Cat. 6 Telephone Socket



1G Shuttered Telephone Socket

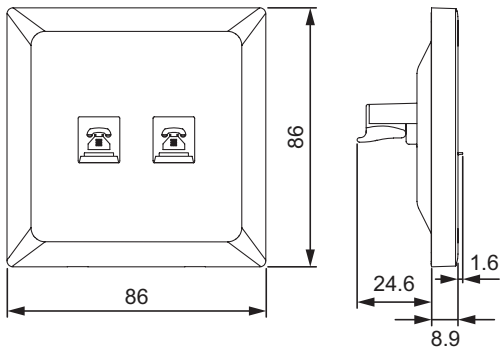


Technical Information

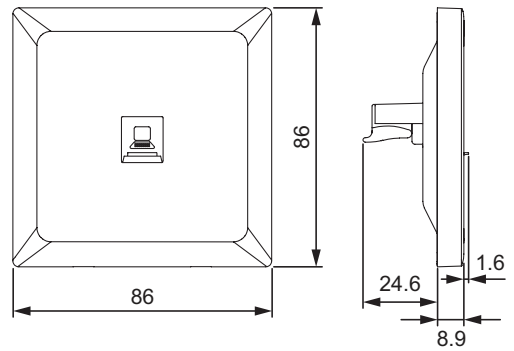
Dimensions

Communication Outlets

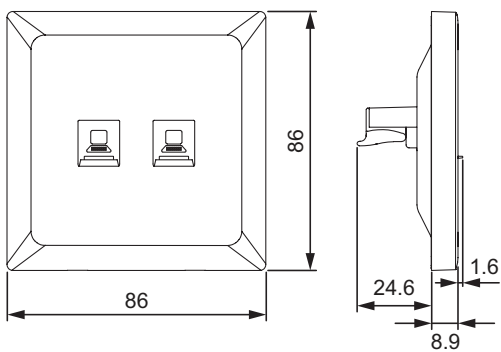
2G Shuttered Telephone Socket



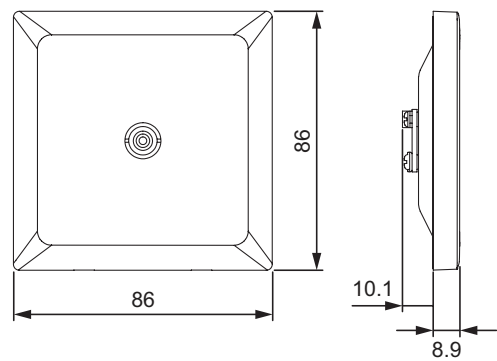
1G Cat. 5e Socket



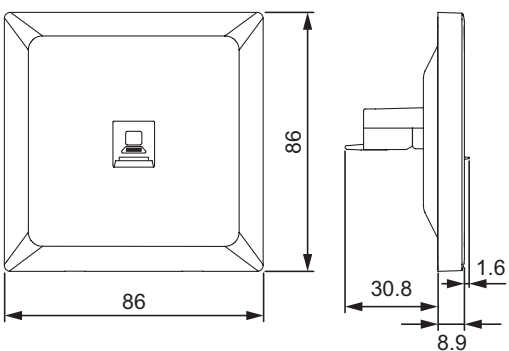
2G Cat. 5e Socket



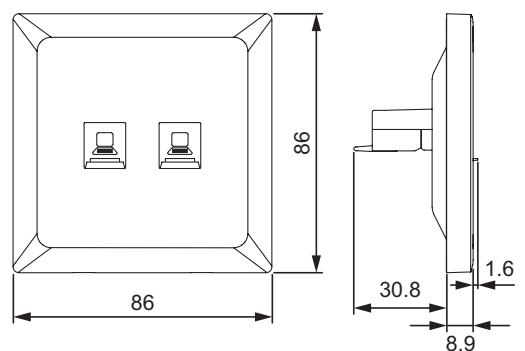
1G TV Socket – 75 Ohm



1G Cat. 6 Socket



2G Cat. 6 Socket

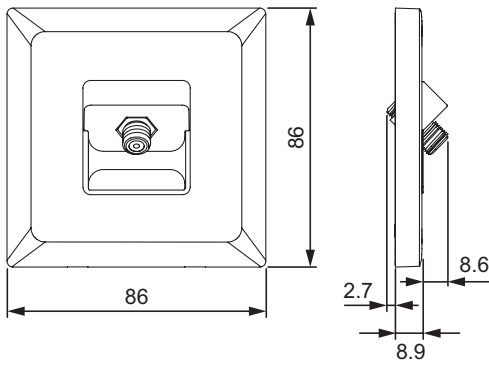


Technical Information

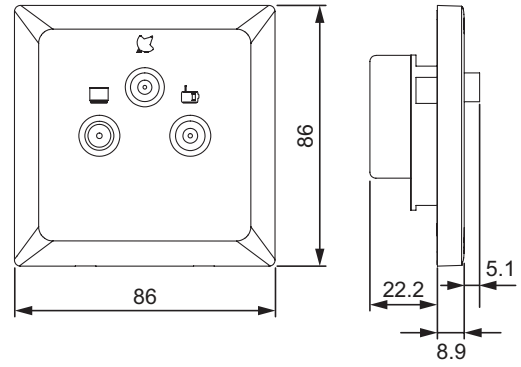
Dimensions

Communication Outlets

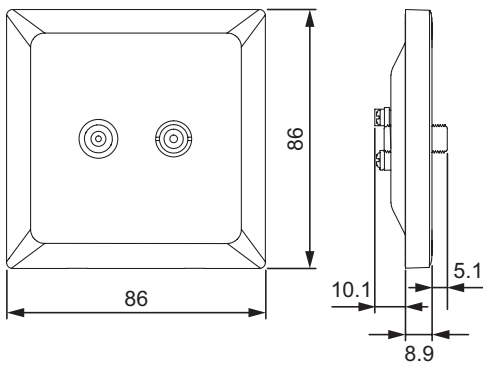
1G Cable TVF Connector



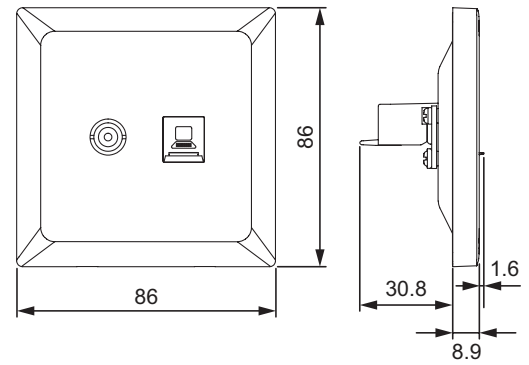
SMAT TV, FM, F Socket



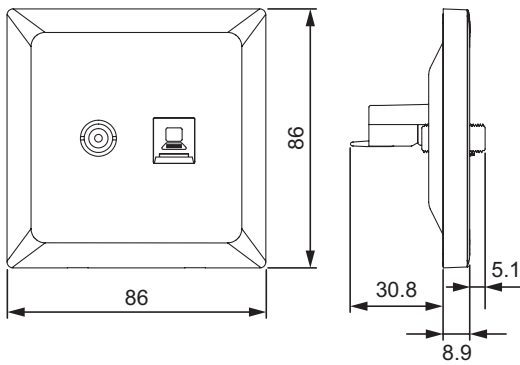
2G TV+TVF Socket



2G TV + Cat. 6 Socket



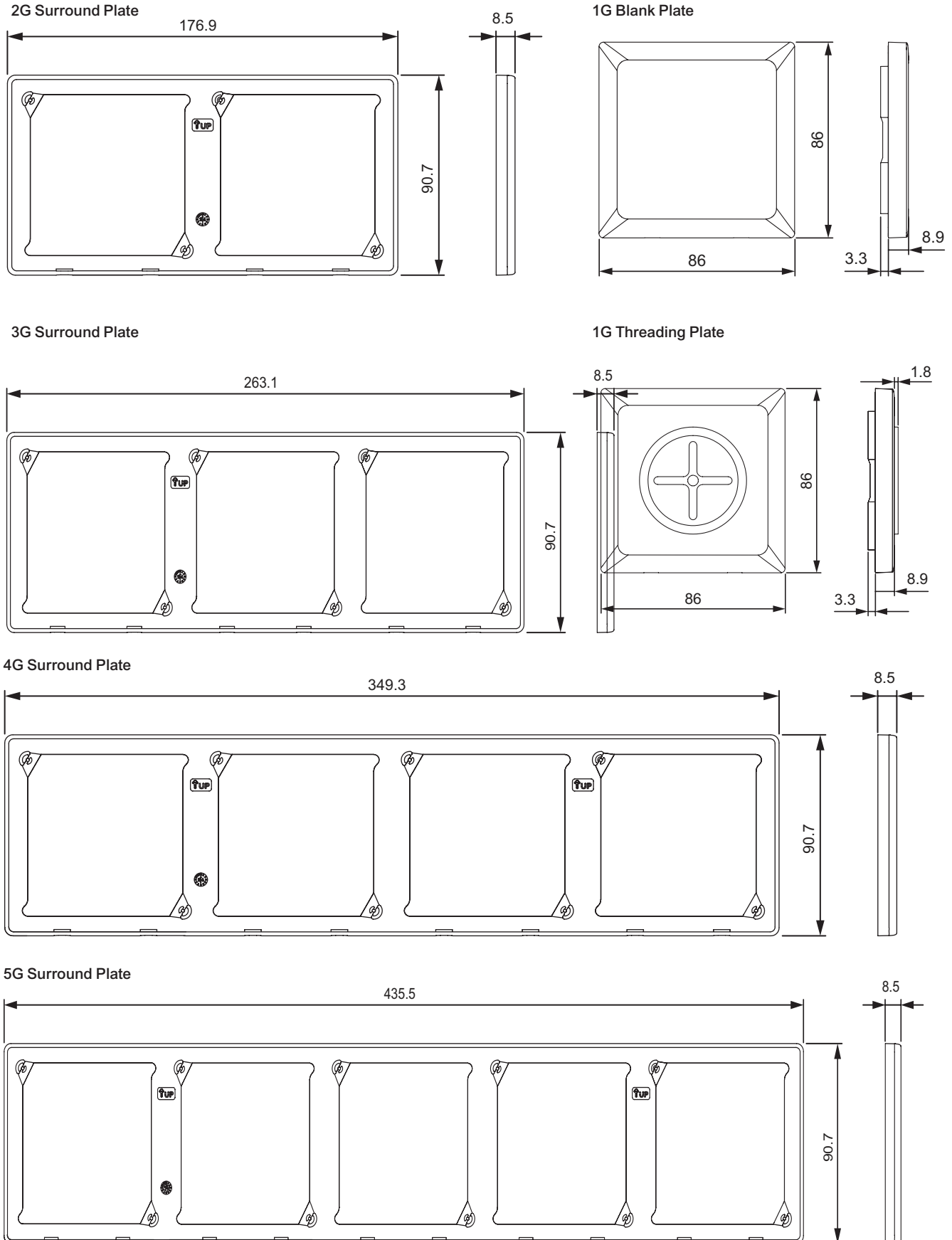
2G TVF + Cat. 6 Socket



Technical Information

Dimensions

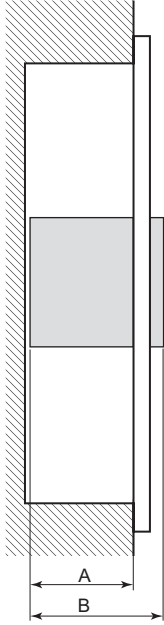
Cover Frames and Accessories



Technical Information

Dimensions

Product Dimensions (mm)



A: Embedding Depth
B: Depth

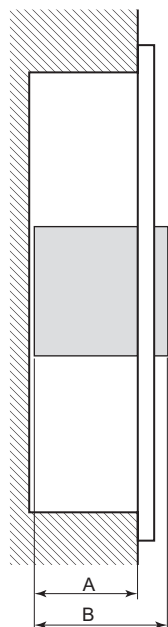
Ref.	A (mm)	B (mm)
KBN31_1_WE_G11	22.1	35.1
KBN31_2_WE_G11	22.1	35.1
KBN32_1_WE_G11	22.1	35.1
KBN32_2_WE_G11	22.1	35.1
KBN33_1_WE_G11	22.1	35.1
KBN33_2_WE_G11	22.1	35.1
KBN34_1_WE_G11	22.1	35.1
KBN34_2_WE_G11	22.1	35.1
KBN3116_1_WE_G11	22.1	35.1
KBN3116_2_WE_G11	22.1	35.1
KBN3216_1_WE_G11	22.1	35.1
KBN3216_2_WE_G11	22.1	35.1
KBN3316_1_WE_G11	22.1	35.1
KBN3316_2_WE_G11	22.1	35.1
KBN3416_1_WE_G11	22.1	35.1
KBN3416_2_WE_G11	22.1	35.1
KBN31BP_WE_G11	22.1	35.1
KBN31DEP_WE_G11	22.1	35.1
KBN31D20N_WE_G11	22.4	35.3
KBN31D20N_2_WE_G11	22.4	35.3
KBN32D20N_WE_G11	22.4	35.3
KBN31D32N_WE_G11	21.3	34.4
KBN31D45N_WE_G11	21.3	34.4
KBN31IM_WE_G11	22.1	35.1
KBN32IM_WE_G11	22.1	35.1
KBN31PR_WE_G11	22.1	35.1
KBN32PR_WE_G11	22.1	35.1
KBN33PR_WE_G11	22.1	35.1
KBN31TB_WE_G11	28.8	39.6
KBN31FSG_WE	17.3	26.3
KBN31IPTB_WE_G11	15.5	44.5
KBN15_WE_G11	18.2	29.8
KBNT25_WE_G11	19.2	30.8
KBN15_15_WE_G11	23.5	35.1
KBN15USB_WE_G11	30.5	42.1
KBNT25USB_WE_G11	20.9	32.5
KBN15USB_IS_WE_G11	20.9	32.5
KBNT25USB_IS_G11	21.1	32.7
KBNACQUSB_WE_G11	19.2	28.1
KBN15_IS_WE_G11	20.9	32.5
KBNT25_IS_WE_G11	21.1	32.7
KBN31RD250U_WE_G11	28.4	45.3
KBN31RJ4_WE	24.64	33.54
KBN32RJ4_WE	24.64	33.54
KBN32TDRJ6_WE	24.64	33.54
KBN31RJ5_WE	24.64	33.54
KBN32RJ5_WE	24.64	33.54

Ref.	A (mm)	B (mm)
KBN31RJ6_WE	24.64	33.54
KBN32RJ6_WE	24.64	33.54
KBN31TV_WE	10.1	19
KBN31TVF_WE	2.75	20.12
KBN33SMATV_WE	22.2	36.2
KBN32TV_TVF_WE	10.1	20.12
KBN33PSMATV_WE	-	8.9
KBNP_30X_WE	-	8.9
KBNP_21_WE	-	8.5
KBNP_31_WE	-	8.5
KBNP_41_WE	-	8.5
KBNP_51_WE	-	8.5
KBNP_30L_WE	-	14
KBN31EKT_WE_G11	28	47.62
KBNT727V_WE_G11	42.2	50.2
KBN31BPDM_WE_G11	23.5	36.9
KBN32CF_WE_G11	22.1	35.1
KBN32DMS_WE_G11	22.1	35.1
KBN3116_2_RD_G11	22.1	35.1
KBN3116_2_YL_G11	22.1	35.1
KBN3216_2_RD_G11	22.1	35.1
KBN3216_2_YL_G11	22.1	35.1
KBN3316_2_RD_G11	22.1	35.1
KBN3316_2_YL_G11	22.1	35.1
KBN15_RD_G11	22.1	35.1
KBN15_YL_G11	22.1	35.1
KBN15_RDWE_G11	22.1	35.1
KBN15_YLWE_G11	22.1	35.1
KBNPFLIR_WE_G11	22.1	35.1
KBN31KPB_WE	22.1	35.1
KBN31DC_WE_G11	22.1	35.1
KBN31_1_WE	22.1	35.1
KBN31_2_WE	22.1	35.1
KBN32_1_WE	22.1	35.1
KBN32_2_WE	22.1	35.1
KBN33_1_WE	22.1	35.1
KBN33_2_WE	22.1	35.1
KBN34_1_WE	22.1	35.1
KBN34_2_WE	22.1	35.1
KBN3116_1_WE	22.1	35.1
KBN3116_2_WE	22.1	35.1
KBN3216_1_WE	22.1	35.1
KBN3216_2_WE	22.1	35.1
KBN3316_1_WE	22.1	35.1
KBN3316_2_WE	22.1	35.1
KBN3416_1_WE	22.1	35.1
KBN3416_2_WE	22.1	35.1

Technical Information

Dimensions

Product Dimensions (mm)



A: Embedding Depth
B: Depth

Ref.	A (mm)	B (mm)
KBN31BP_WE	22.1	35.1
KBN31DEP_WE	22.1	35.1
KBN31D20N_WE	22.4	35.3
KBN31D20N_2_WE	22.4	35.3
KBN32D20N_WE	22.4	35.3
KBN31D32N_WE	21.3	34.4
KBN31D45N_WE	21.3	34.4
KBN31IM_WE	22.1	35.1
KBN32IM_WE	22.1	35.1
KBN31PR_WE	22.1	35.1
KBN32PR_WE	22.1	35.1
KBN33PR_WE	22.1	35.1
KBN31TB_WE	28.8	39.6
KBN31554_WE	16.1	43.9
KBN15_WE	18.2	29.8
KBNT25_WE	19.2	30.8
KBN15_15_WE	23.5	35.1
KBN15USB_WE_G2	30.5	42.1
KBN15USB_WE	30.5	42.1
KBNT25USB_WE_G2	20.9	32.5
KBN15USB_IS_WE_G2	20.9	32.5
KBNT25USB_IS_WE_G2	21.1	32.7
KBNACQUSB_WE_G2	19.2	28.1
KBN15_IS_WE	20.9	32.5
KBNT25_IS_WE	21.1	32.7
KBN31RD250U_WE	28.4	45.3
KBN32TV6_WE	24.64	38.64
KBN32TVF6_WE	24.64	38.64
KBN31EKT_WE	28	47.62
KBNT727V_WE	42.2	50.2
KBN31BPDM_WE	23.5	36.9
KBN32CF_WE	22.1	35.1
KBN32DMS_WE	22.1	35.1
KBNPFLIR_WE	28.8	45.7
KBN31DC_WE	19.2	29.4
KBN426_16S_WE_G3	30	39
KBNT426_16S_WE_G3	30	39
KBN15USB_IS_WE	20.9	32.5
KBNACQUSB_WE	19.2	28.1
KBN426UEST_WE_G19	23.5	32.4
KBNT426UEST_WE_G19	24.8	33.7

Reference Numbers Overview

Ref.	Page
KBN15_15_BK	15
KBN15_15_LG	15
KBN15_15_WE	15
KBN15_15_WE_G11	15
KBN15_15_WG	15
KBN15_BK	15
KBN15_IS_BK	16
KBN15_IS_LG	16
KBN15_IS_WE	16
KBN15_IS_WE_G11	16
KBN15_IS_WG	16
KBN15_LG	15
KBN15_RD_G11	15
KBN15_RDWE_G11	15
KBN15USB_BK	16
KBN15USB_IS_BK	16
KBN15USB_IS_LG	16
KBN15USB_IS_WE	16
KBN15USB_IS_WE_G2	16
KBN15USB_IS_WE_G11	16
KBN15USB_IS_WG	16
KBN15USB_LG	16
KBN15USB_WE	16
KBN15USB_WE_G2	16
KBN15USB_WE_G11	16
KBN15USB_WG	16
KBN15_WE	15
KBN15_WE_G11	15
KBN15_WG	15
KBN15_YL_G11	15
KBN15_YLWE_G11	15
KBN31_1_WE	7
KBN31_1_WE_G11	7
KBN31_2_WE	7
KBN31_2_WE_G11	7
KBN31BP_BK	10
KBN31BPDM_BK	11
KBN31BPDM_LG	11
KBN31BPDM_WE	11
KBN31BPDM_WE_G11	11
KBN31BPDM_WG	11
KBN31BP_LG	10
KBN31BP_WE	10
KBN31BP_WE_G11	10
KBN31BP_WG	10
KBN31D20N_2_WE	8
KBN31D20N_2_WE_G11	8
KBN31D20N_BK	8
KBN31D20N_LG	8
KBN31D20N_WE	8
KBN31D20N_WE_G11	8

Ref.	Page
KBN31D20N_WG	8
KBN31D32N_WE	9
KBN31D32N_WE_G11	9
KBN31D45N_WE	9
KBN31D45N_WE_G11	9
KBN31DC_WE	12
KBN31DC_WE_G11	12
KBN31DEP_WE	10
KBN31DEP_WE_G11	10
KBN31EKT_BK	11
KBN31EKT_LG	11
KBN31EKT_WE	11
KBN31EKT_WE_G11	11
KBN31EKT_WG	11
KBN31FSG_WE	19
KBN31IM_BK	7
KBN31IM_LG	7
KBN31IM_WE	7
KBN31IM_WE_G11	7
KBN31IM_WG	7
KBN31IPTB_WE_G11	19
KBN31KPB_WE	12
KBN31PR_BK	11
KBN31PR_LG	11
KBN31PR_WE	11
KBN31PR_WE_G11	11
KBN31PR_WG	11
KBN31RD250U_BK	10
KBN31RD250U_LG	10
KBN31RD250U_WE	10
KBN31RD250U_WE_G11	10
KBN31RD250U_WG	10
KBN31RJ4_BK	19
KBN31RJ4_LG	19
KBN31RJ4_WE	19
KBN31RJ4_WG	19
KBN31RJ5_BK	19
KBN31RJ5_LG	19
KBN31RJ5_WE	19
KBN31RJ5_WG	19
KBN31RJ6_BK	20
KBN31RJ6_LG	20
KBN31RJ6_WE	20
KBN31RJ6_WG	20
KBN31TB_WE	19
KBN31TB_WE_G11	19
KBN31TV_BK	20
KBN31TVF_WE	20
KBN31TV_LG	20
KBN31TV_WE	20
KBN31TV_WG	20

Ref.	Page
KBN32_1_WE	7
KBN32_1_WE_G11	7
KBN32_2_WE	7
KBN32_2_WE_G11	7
KBN32CF_WE	11
KBN32CF_WE_G11	11
KBN32D20N_WE	8
KBN32D20N_WE_G11	8
KBN32DMS_BK	11
KBN32DMS_LG	11
KBN32DMS_WE	11
KBN32DMS_WE_G11	11
KBN32DMS_WG	11
KBN32IM_WE	7
KBN32IM_WE_G11	7
KBN32PR_BK	11
KBN32PR_LG	11
KBN32PR_WE	11
KBN32PR_WE_G11	11
KBN32PR_WG	11
KBN32RJ4_BK	19
KBN32RJ4_LG	19
KBN32RJ4_WE	19
KBN32RJ4_WG	19
KBN32RJ5_BK	19
KBN32RJ5_LG	19
KBN32RJ5_WE	19
KBN32RJ5_WG	19
KBN32RJ6_BK	20
KBN32RJ6_LG	20
KBN32RJ6_WE	20
KBN32RJ6_WG	20
KBN32TDRJ6_BK	20
KBN32TDRJ6_LG	20
KBN32TDRJ6_WE	20
KBN32TDRJ6_WG	20
KBN32TV6_WE	20
KBN32TVF6_WE	20
KBN32TV_TVF_BK	20
KBN32TV_TVF_LG	20
KBN32TV_TVF_WE	20
KBN32TV_TVF_WG	20
KBN33_1_WE	7
KBN33_1_WE_G11	7
KBN33_2_WE	7
KBN33_2_WE_G11	7
KBN33PR_BK	11
KBN33PR_LG	11
KBN33PR_WE	11
KBN33PR_WE_G11	11
KBN33PR_WG	11

Reference Numbers Overview

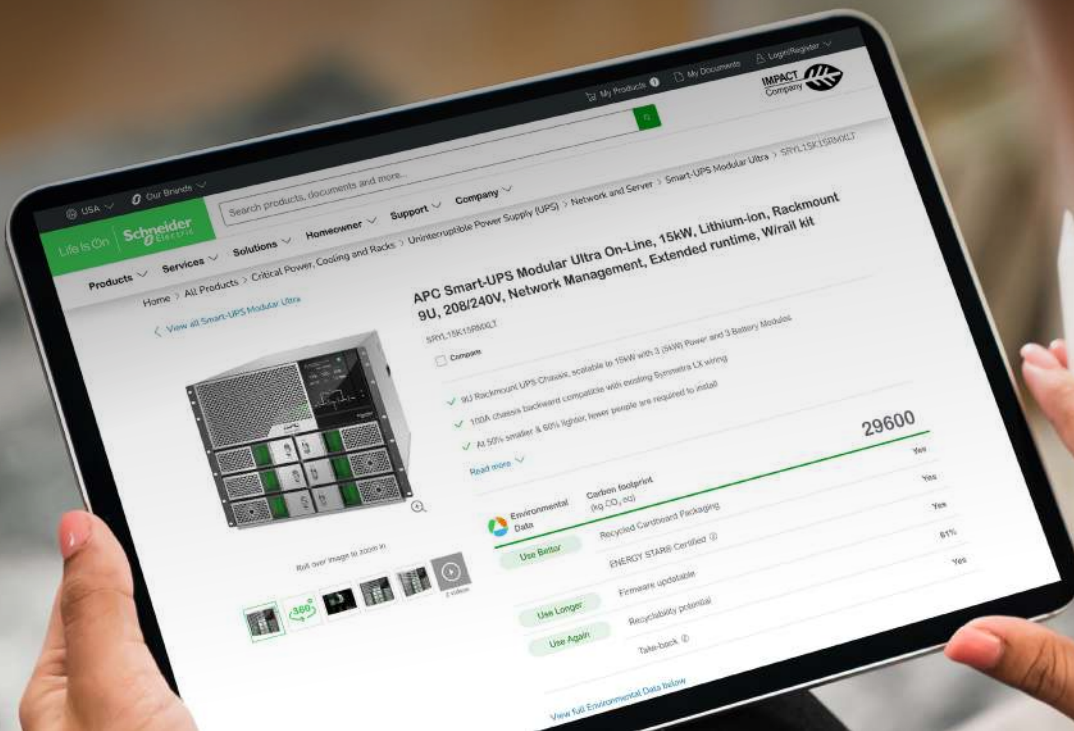
Ref.	Page
KBN33PSMATV_WE	20
KBN33SMATV_WE	20
KBN34_1_WE	7
KBN34_1_WE_G11	7
KBN34_2_WE	7
KBN34_2_WE_G11	7
KBN426_16S_BK	15
KBN426_16S_LG	15
KBN426_16S_WE_G3	15
KBN426_16S_WG	15
KBN426UEST_WE_G19	15
KBN3116_1_BK	8
KBN3116_1_LG	8
KBN3116_1_WE	8
KBN3116_1_WE_G11	8
KBN3116_1_WG	8
KBN3116_2_BK	8
KBN3116_2_LG	8
KBN3116_2_RD_G11	8
KBN3116_2_WE	8
KBN3116_2_WE_G11	8
KBN3116_2_WG	8
KBN3116_2_YL_G11	8
KBN3216_1_BK	8
KBN3216_1_LG	8
KBN3216_1_WE	8
KBN3216_1_WE_G11	8
KBN3216_1_WG	8
KBN3216_2_BK	8
KBN3216_2_LG	8
KBN3216_2_RD_G11	8
KBN3216_2_WE	8
KBN3216_2_WE_G11	8
KBN3216_2_WG	8
KBN3216_2_YL_G11	8
KBN3316_1_BK	8
KBN3316_1_LG	8
KBN3316_1_WE	8
KBN3316_1_WE_G11	8
KBN3316_1_WG	8
KBN3316_2_BK	8
KBN3316_2_LG	8
KBN3316_2_RD_G11	8
KBN3316_2_WE	8
KBN3316_2_WE_G11	8
KBN3316_2_WG	8
KBN3316_2_YL_G11	8
KBN3416_1_BK	8
KBN3416_1_LG	8
KBN3416_1_WE	8

Ref.	Page
KBN3416_1_WE_G11	8
KBN3416_1_WG	8
KBN3416_2_BK	8
KBN3416_2_LG	8
KBN3416_2_WE	8
KBN3416_2_WE_G11	8
KBN3416_2_WG	8
KBN31554_WE	19
KBNACQUSB_BK	17
KBNACQUSB_LG	17
KBNACQUSB_WE	17
KBNACQUSB_WE_G2	17
KBNACQUSB_WE_G11	17
KBNACQUSB_WG	17
KBNP_21_BK	23
KBNP_21_LG	23
KBNP_21_WE	23
KBNP_21_WG	23
KBNP_30L_WE	23
KBNP_30X_BK	23
KBNP_30X_LG	23
KBNP_30X_WE	23
KBNP_30X_WG	23
KBNP_31_BK	23
KBNP_31_LG	23
KBNP_31_WE	23
KBNP_31_WG	23
KBNP_41_BK	23
KBNP_41_LG	23
KBNP_41_WE	23
KBNP_41_WG	23
KBNP_51_WE	23
KBNPFLIR_WE	11
KBNPFLIR_WE_G11	11
KBNT25_BK	15
KBNT25_IS_WE	16
KBNT25_IS_WE_G11	16
KBNT25_LG	15
KBNT25USB_IS_G11	16
KBNT25USB_IS_WE_G2	16
KBNT25USB_WE_G2	16
KBNT25USB_WE_G11	16
KBNT25_WE	15
KBNT25_WE_G11	15
KBNT25_WG	15
KBNT426_16S_BK	15
KBNT426_16S_LG	15
KBNT426_16S_WE_G3	15
KBNT426_16S_WG	15
KBNT426UEST_WE_G19	15

Ref.	Page
KBNT727V_BK	11
KBNT727V_LG	11
KBNT727V_WE	11
KBNT727V_WE_G11	11
KBNT727V_WG	11



Environmental Data Program

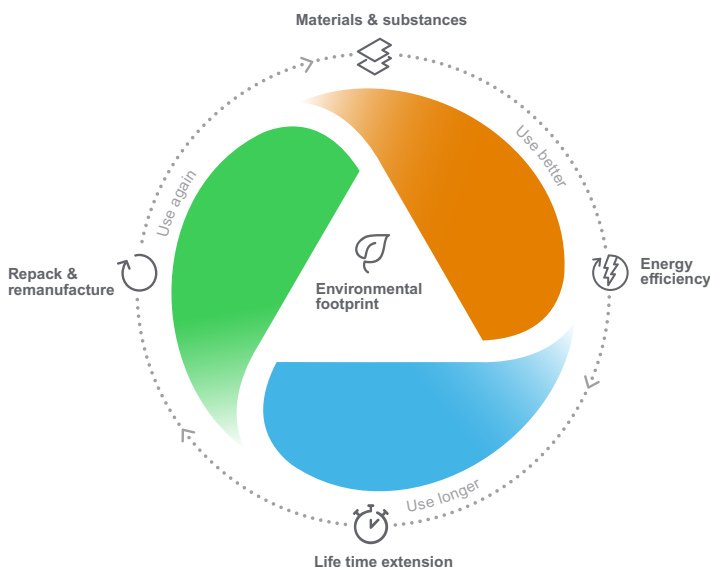


Next-level transparency for better-informed product choices

The Environmental Data Program is a framework for how we measure, categorize, and compare the environmental attributes and footprint of our products.

Using a rigorous, fact-based methodology, the program provides environmental data from across the product lifecycle.

Five data categories across the product lifecycle



Use Better: How sustainable a product is, including environmental footprint, materials and substances, packaging, and energy efficiency.

Use Longer: How a product's life time can be effectively extended in terms of repairability and updatability.

Use Again: How a product can be reused, from dismantling and remanufacturing to recyclability and manufacturer take back.

With this transparent, verified data, customers and partners are empowered to make conscious environmental choices and accurately evaluate and report on sustainability performance.

All our hardware offers have an associated environmental data available on se.com product pages.



Learn more about the **Environmental Data Program**

Life Is On | **Schneider**
Electric

Schneider Electric Industries SAS

35, rue Joseph Monier
CS 30323
92506 Rueil Malmaison Cedex
France

RCS Nanterre 954 503 439
Capital social 928 298 512 €
www.se.com

12-2025

© 2025 - Schneider Electric. All Rights Reserved.
All trademarks are owned by Schneider Electric Industries SAS or its affiliated companies.
Document reference: LSB03212EN

This document has been
printed on recycled paper 